



FZD 5015 E

English	3-18
Čeština.....	19-34
Slovenčina	35-50
Magyarul	51-66
Polski	67-82

Garden Shredder

USER'S MANUAL

Dear customer,

thank you very much for the trust that you have expressed!

Before putting this machine into operation, it is imperative to read this user's manual! In it, you will find all the instructions for normal operation and for achieving a long lifetime of the machine. It is imperative to adhere to all safety instructions contained in this user's manual.

CONTENTS

1. GENERAL SAFETY INSTRUCTIONS	4
Important safety notice	4
Instructions for use	4
2. SYMBOLS.....	5
3. BEFORE YOU BEGIN.....	6
Operation within the scope of intended use	6
4. FOR YOUR SAFETY.....	6
General safety instructions	6
Electrical safety	7
Maintenance	7
Notifications specific to this machine	7
5. DESCRIPTION OF THE MACHINE	9
Description of the machine (see Fig. 1)	9
6. ASSEMBLING THE SHREDDER.....	10
7. OPERATING THE SHREDDER.....	12
Turning the shredder on and off (Fig. 5).....	12
Forward / reverse rotation switch (Fig. 5, point 3).....	12
Protection against overload	13
Collection box.....	13
Cutting roller cover (Fig. 1, point 11).....	13
8. SETTING UP AND WORKING WITH THE SHREDDER.....	14
Setting the counter-blade distance	14
Before turning on.....	14
Material that the shredder can process.....	14
The shredder MUST NOT process the following types of materials:	14
9. OPERATION	15
10. MAINTENANCE	15
11. TROUBLESHOOTING	16
12. TECHNICAL SPECIFICATIONS.....	17
13. DISPOSAL.....	17
14. DECLARATION OF CONFORMITY.....	18

1. GENERAL SAFETY INSTRUCTIONS

Important safety notice


- ✿ Carefully unpack the product and take care not to throw away any part of the packaging before you find all the parts of the product.
- ✿ Store the product in a dry place out of reach of children.
- ✿ Read all warnings and instructions. Not following warnings or instructions may lead to injury by electrical shock, a fire and/or serious injuries.

Packaging

The product is packed in a package that prevents damage during transport. This package is a resource and so can be handed over for recycling.

Instructions for use

Before you start working with the machine, read the following safety and usage instructions. Acquaint yourself with the operating elements and the correct use of the machine. Keep the user's manual in a safe place where it can be easily retrieved for future use. Save the original packaging, including the internal packing material, warranty card and proof of purchase receipt at least for the duration of the warranty. If you need to ship this machine, pack it in the original cardboard box to ensure maximum protection during shipping or transport (e.g. when moving or when sending it for repair to a service centre).

 **NOTE:** If you hand over the machine to somebody else, do so together with this user's manual. Following the instructions in the included user's manual is a prerequisite for the proper use of the machine. The user's manual also contains operating, maintenance and repair instructions.

The manufacturer takes no responsibility for accidents or damages resulting from not following the instructions in this manual.

2. SYMBOLS



Follow the safety instructions prior to putting into operation.



Prior to putting into operation, read the user's manual and adhere to it.



Danger of amputation.



Do not reach into the funnel.



Risk from deflected objects.



Maintain a safe distance from bystanders.



If the cable is damaged or interrupted, immediately disconnect the plug from the mains.



Machine noise level.



ATTENTION: Do not use the shredder in humid or rainy weather and protect it against moisture.



Wait for all parts of the shredder to come to a stop.

Personal protective work aids



Use hearing protection and wear safety glasses when working with the machine.



Use solid footwear when working with the machine.



Use safety gloves when working with the machine.



Use close-fitting work clothes when working with the machine.

3. BEFORE YOU BEGIN...

Operation within the scope of intended use

- ✿ it complies with the state of science and technology and safety provisions in force at the time that it is put into operation within the scope of its intended use. The machine is intended for shredding fibrous and woody organic household and garden material. It cannot be filled with rocks, glass, metals, bones, plastic or textile waste materials.
- ✿ it is not designed for professional use. Any other use is in contradiction with the designated purpose. Operation in contradiction with the determined intended use, modifications made to the machine or the use of parts that were not pre-tested and approved by the manufacturer, may result in unforeseeable damage! All inappropriate use or any activities not described in this user's manual performed with the machine are considered to constitute prohibited misuse that is beyond the legal boundaries for the warranty of the manufacturer.

4. FOR YOUR SAFETY

General safety instructions

- ✿ For the safe operation of this machine, its users must read this user's manual and understand it before first use.
- ✿ Respect all safety instructions! If you do not adhere to the safety instructions, you are endangering yourself and others.
- ✿ Carefully store all user's manuals and safety instructions for future reference.
- ✿ If you sell or hand the machine over to somebody, unconditionally also hand over this user's manual.
- ✿ The machine must only be used when it is free of defects. If the machine or its part is damaged, it must be repaired by a professional.
- ✿ Do not use the machine in places where there is a risk of explosion or in the vicinity of flammable fluids or gasses!
- ✿ Always secure a turned off machine against it being turned on accidentally.
- ✿ Do not use a machine on which its On/Off switch does not work.
- ✿ Prevent children access to the machine! Store the machine so that it is secured against children and unauthorised persons.
- ✿ Do not overload the machine. Only use the machine for the purposes for which it was designed.
- ✿ Always use the required protective safety equipment.
- ✿ Always work very carefully and be in good physical condition: Working when tired or ill, after consuming alcohol, under the influence of medication or narcotics is dangerous because you cannot operate the machine safely.
- ✿ Do not use a heating element with a timer switch or another type of switch that automatically switches on the machine, this would represent a fire hazard.
- ✿ Take steps to ensure that children do not play with the product.
- ✿ Always adhere to valid national and international safety, health and work regulations.

Electrical safety

- ⚠ The machine may only be connected to a power socket with a properly installed protective contact.
- ⚠ The machine must be protected by a residual current device (FI switch) with a rated false current not exceeding 30 mA.
- ⚠ Prior to connecting the machine it is necessary to ensure that the mains connection corresponds to the values for the connection of the machine.
- ⚠ The machine may only be used within the indicated current, power and speed limits (see rating label).
- ⚠ Do not touch the power plug with wet hands! Always pull the plug holding the connector, not the cable.
- ⚠ Do not bend, crimp, clamp, pull or drive over the power cord; protect it against sharp edges, oil and heat.
- ⚠ Do not lift the machine by the power cord and do not use the power cord for any other purposes.
- ⚠ Prior to every use, inspect the plug and power cord.
- ⚠ In the event that the power cord is damaged, immediately unplug the plug. Do not use a machine with a damaged power cord.
- ⚠ If the machine is not being used, the power plug must always be unplugged.
- ⚠ Ensure that the machine is turned off before plugging in the power plug.
- ⚠ Always turn off the machine before unplugging the power plug.
- ⚠ Make sure there is not current in the machine before transporting it.

Maintenance

- ⚠ Pull the power plug out of the power socket before performing any type of work on the machine.
- ⚠ Only the maintenance and troubleshooting described in this user's manual may be performed. All other work must be performed by a professional.
- ⚠ Use only original spare parts. Only these spare parts are designed for the machine and appropriate. Other spare parts will not only result in the warranty becoming void but may also endanger you and your surroundings.

Notifications specific to this machine

- ⚠ Do not reach into the filling funnel or the ejection chute while it is running. The machine continues to run down for approx. 5 seconds after it is turned off.
- ⚠ The machine must be assembled according to the instructions before it is turned on.
- ⚠ Check that all screws, bolts, nuts and other fastening components are firmly tightened and that protective elements are properly installed before turning it on.
- ⚠ When working with the machine, make sure to maintain a stable and natural stance.
- ⚠ Work only under good light and visibility conditions.
- ⚠ The operator's clothing must be tight-fitting. Loose clothing must be eliminated. Wear solid footwear and long work pants.
- ⚠ Only use the machine outdoors on a firm even surface.
- ⚠ Leave sufficient free space around the machine when using it. Do not stand the machine close to a wall.
- ⚠ Do not lift, tilt or transport the machine when it is running.
- ⚠ Before starting the machine, check that the insertion funnel is empty.
- ⚠ Never leave a running machine without supervision.
- ⚠ Make sure that no foreign objects enter the machine when it is running, e.g. rocks, glass, metal, soil, plastic, etc. The could damage the motor and the cutting roller.
- ⚠ If foreign objects enter the cutting mechanism or the machine makes unusual noises or vibrates unusually, immediately stop the motor and allow the machine to come to a complete stop.

- ✿ Never use the machine without the inserting funnel.
- ✿ If the shredder becomes clogged, first turn the machine off and pull the plug out of the socket and wait for the machine to come to a complete stop before removing the clogged material. Keep the On/Off switch clean and free of foreign objects.
- ✿ Never attempt to hold or remove shredded material while the cutting roller is in motion. Remove clogged shredded material only when the machine is turned off.
- ✿ Prevent direct contact with the rotating cutting roller. Keep hands and feet away from the openings when the machine is running.
- ✿ Do not insert your hands or other body parts or clothing into the filling chamber, ejection chute or in the vicinity of other moving parts.
- ✿ Always remove shredded material from the ejection zone before it accumulates. This will prevent the shredder from clogging and prevent the shredded material from entering the filling funnel by recoil and causing injuries.
- ✿ No other persons or animals may stand within the radius of 3 m around the work area as they could be injured by deflected objects.
- ✿ Do not use the machine on a tiled or concrete floor. The shredded material could deflect and cause injury.
- ✿ The symbols found on your machine must not be removed or covered over. Notifications on the machine that are no longer legible must be replaced with new ones without delay.

5. DESCRIPTION OF THE MACHINE

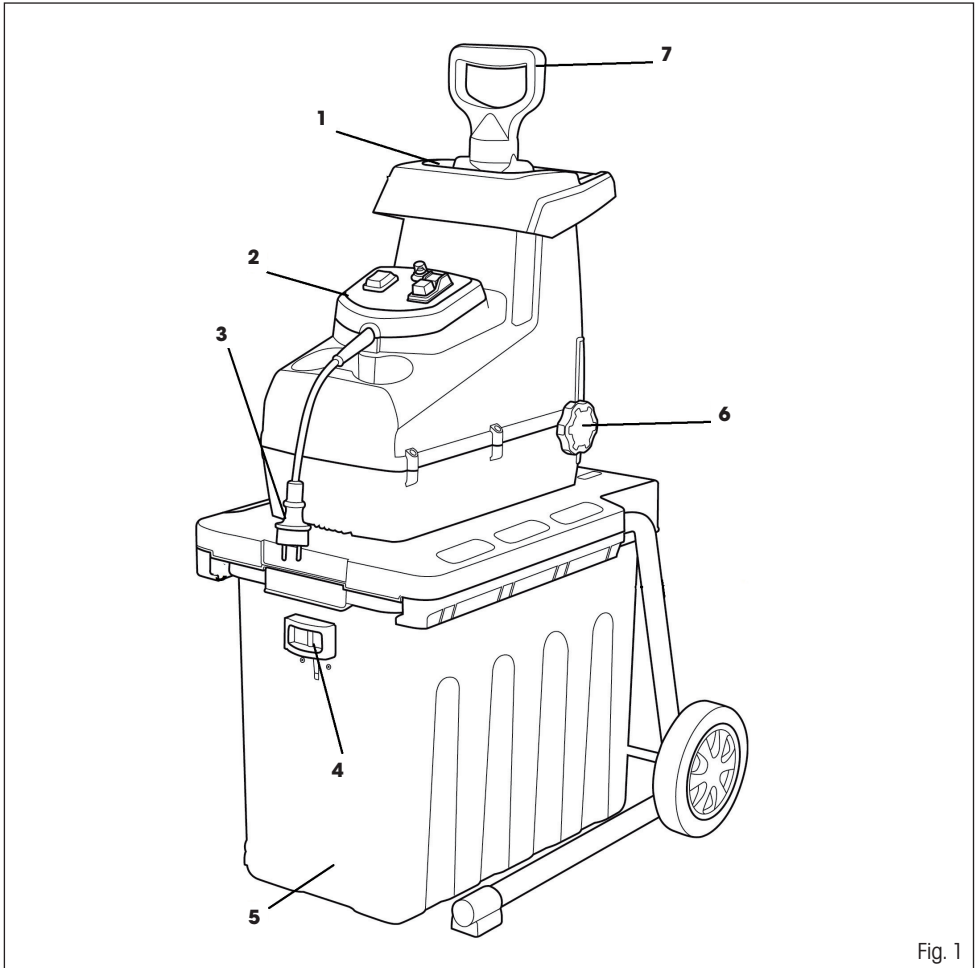


Fig. 1

Description of the machine (see Fig. 1)

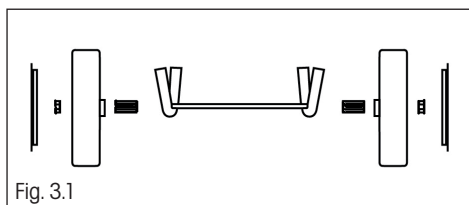
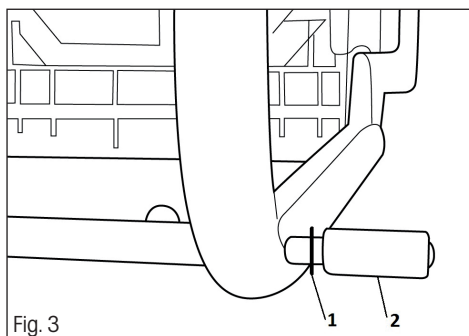
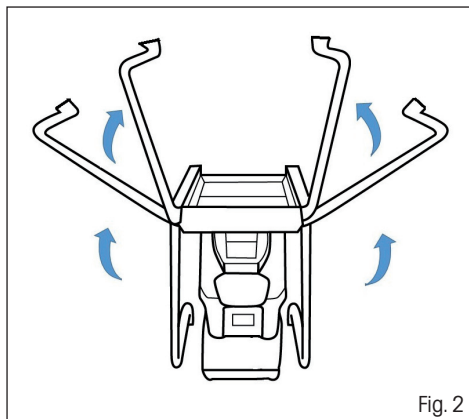
1. Filling funnel
2. Control panel
3. Power cord
4. Collection box safety lock
5. Collection box
6. Cutting adjustment screw
7. Plastic pusher

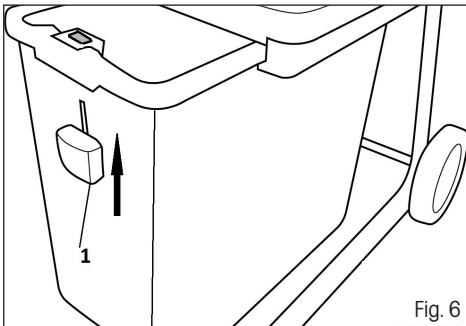
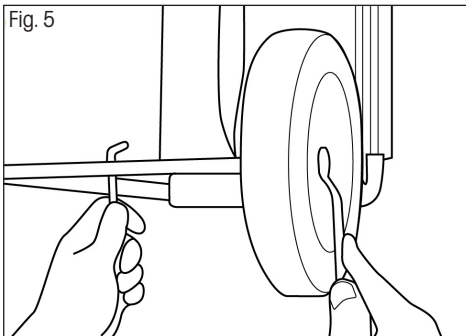
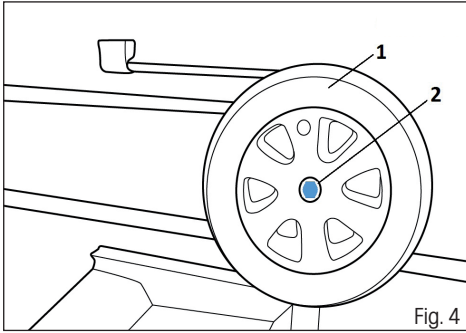
6. ASSEMBLING THE SHREDDER

⚠ ATTENTION: Prior to performing any work on the machine, check that it is turned off and disconnected from the power supply.

1. Turn the shredder unit upside down and place it on an even floor.
Then lift the legs upwards. Fig 2.
2. Install the wheels as follows:
 - Push the wheel axle through the holes in the frame.
 - put a washer and a wheel bushing on each side of the axle. Fig 3.
 - Put on the wheel and secure in place using a nut. Fig 4.
 - Insert a hex key through the opening in the wheel's axle and tighten the wheel nut. Fig 5.
 - Finally put on the wheel cover.
 - Repeat this procedure for both wheels.
3. Insert the collection box and lock in place using the safety mechanism. Fig. 6, point 1

⚠ ATTENTION! The safety mechanism must be properly locked, otherwise the machine will not start.





7. OPERATING THE SHREDDER

⚠ WARNING: Before connecting the machine to a power source, always check that the switch is turned off. Connecting the machine with the switch in the on position may cause it to turn on unexpectedly and result in a serious injury.

Turning the shredder on and off (Fig. 7)

⚠ ATTENTION: If it is not possible to turn the switch on the machine on and off, do not work with the machine. Have faulty switches replaced at an authorised service centre.

- ✿ To turn on the shredder, press the button with the "I" symbol. Fig. 7, point 2
- ✿ To turn off the shredder, press the button with the "O" symbol. Fig. 7, point 1

⚠ ATTENTION: In the event of a power outage, the machine will turn off automatically. To turn on the shredder again, press the button with the "I" symbol.

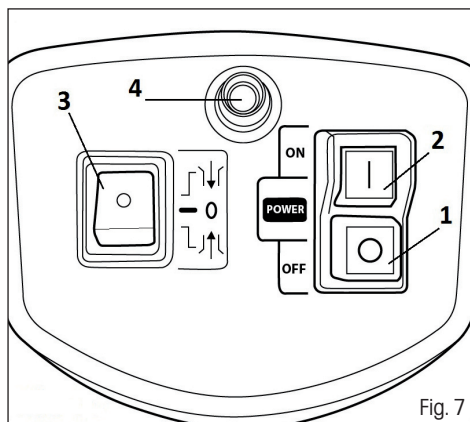


Fig. 7

Forward / reverse rotation switch (Fig. 7, point 3)

⚠ ATTENTION: Turn the shredder off before switching the forward / reverse rotation.

Forward position

- ✿ Standard operation of the shredder. The cutting roller rotates forwards.

Reverse position

- ✿ The cutting roller rotates in the opposite direction for the purpose of releasing jammed material.
- ✿ To change to the reverse rotation direction it is necessary to intermittently press the button with the "I" symbol so that the roller rotates. The roller will stop automatically when the button is released.

📖 NOTE: To shred large branches it may be necessary to repeat the forward and reverse procedure several times. **Prior to changing the rotation direction again, always wait until the shredder comes to a complete stop.**

Protection against overload

- ⚙ The shredder is equipped with overload protection (Fig.7, point 4)
- ⚙ In the event of an overload, the motor protection will automatically disconnect the electrical circuit.
- ⚙ To renew functionality, proceed as follows:
 1. Turn off the machine so that it is without voltage.
 2. Remove the material that clogged the shredder.
 3. Allow the motor to cool down for at least five minutes!
 4. Press the safety fuse button (Fig. 7, point 4).
 5. Reconnect the electrical power supply.
 6. Turn on the shredder.

⚠ ATTENTION: To prevent accidents, to remove jammed objects, always use a hook or a stick.

Collection box

- ⚙ Always turn the shredder off and disconnect it from the power supply before attaching or removing the collection box.
- ⚙ For safety reasons, the handle of the collection box (Fig. 6, point 1) is equipped with a safety lock.
- ⚙ For safe operation, check the working order of the safety lock after every two hours of work.
- ⚙ Never attempt to put the safety lock of the handle out of operation.

Handle of the collection box:

Handle in the lowered position >>> the collection box is not locked. The safety lock is activated, the shredder cannot be started.

Handle in the raised position >>> the collection box is locked and the shredder is ready for work.

📖 NOTE: The machine will not start if the collection box is unlocked. The machine will automatically turn off when the collection box is released during operation.

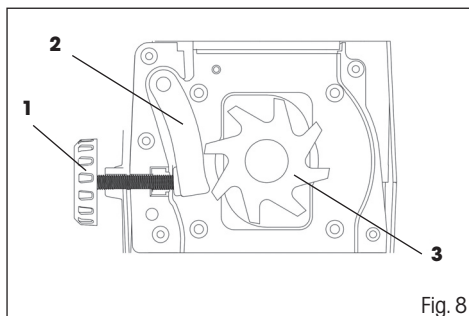
8. SETTING UP AND WORKING WITH THE SHREDDER

Setting the counter-blade distance

- ✿ For effective operation, it is necessary to set the distance between the counter-blade (Fig. 8, point 2) and the cutting roller (Fig. 8, point 3). The gap between the cutting roller and the counter-blade should be as small as possible.
- ✿ A correct setting will enable the effective shredding of all branch diameters.

Setting the distance:

- ✿ Turn on the machine.
- ✿ To pull the counter-blade towards the cutting roller, slowly turn the setting screw (Fig. 8, point 1) clockwise. Keep turning the screw until fine aluminium fillings start falling out of the ejection chute.



NOTE: Soft material or wet branches may be torn instead of being cut. This problem may also be caused by the counter-blade, which wears out after frequent use.

Before turning on

Make sure that:

- ✿ Power cords are not damaged. If there are slits or cracks on a power cord, stop work and replace it immediately.
- ✿ The machine is not damaged and all the screws are pulled tight.
- ✿ The machine is completely and correctly assembled.

Check the power supply:

- ✿ Make sure that the supply voltage corresponds to the rated voltage on the rating label and that the machine is properly grounded.
- ✿ Only use extension cords that have wires with a sufficient cross-section.

Material that the shredder can process

The shredder can process the following types of materials:

- ✿ All types of branches up to the maximum diameter specified in the technical specifications.
- ✿ Garden waste such as wilted plants or wet grass (shred alternatively with branches).

The shredder **MUST NOT** process the following types of materials:

- ✿ Glass, metals, plastics, rocks, ceramics, branches thicker than specified in the technical specifications, hard wood, thick wooden boards, fabrics, plastic bags, roots with soil.
- ✿ Wastes that are almost in liquid form, e.g. kitchen scraps.

9. OPERATION

- ✿ Place the material into the funnel from the right side.
- ✿ Shred branches immediately after they are cut. When they dry out, they may become very hard.
- ✿ Remove all lateral shoots from the branches if it is not possible to insert them into the shredder.
- ✿ Avoid too much shredded material from accumulating in the collection box. Regularly empty the box because accumulated shredded material may block the ejection chute.
- ✿ Do not insert material that is larger than the maximum branch diameter specified in the technical specifications.
- ✿ Shredding wet garden waste (fallen leaves) will result in clogging. To prevent clogging, alternate the waste with material containing wood.
- ✿ Soft materials or wet branches may be torn instead of being cut. This problem may also be caused by a worn out counter-blade.
- ✿ Before cleaning out the ejection chute, turn off the motor and disconnect the machine from the power supply.

10. MAINTENANCE

ATTENTION:

- ✿ Prior to inspecting or performing maintenance on the machine, check that it is turned off and disconnected from the power supply. Be careful, the cutting roller will not stop immediately after the machine is turned off, wait for all the parts to stop moving.
- ✿ Put on protective gloves before inspection or carrying out maintenance.
- ✿ Never use petrol, thinners, alcohol, etc. for cleaning. This could result in discolouration, deformation or cracking.
- ✿ Only use a damp cloth and soft brush for cleaning the machine.
- ✿ Do not use a hose or wash the machine with pressurised water.

After every work session, carry out the following maintenance:

- ✿ Check that all fastening screws and bolts are tightened (tighten them if necessary).
- ✿ Lubricate metal components to protect against corrosion.
- ✿ Maintain holes clean and free of dust.
- ✿ The cutting roller and counter-blade wear out over time. If necessary, inform yourself about replacement at you nearest authorised service centre.

11. TROUBLESHOOTING

⚠ WARNING: Prior to troubleshooting, turn the machine off, disconnect it from the power supply and wait for it to come to a complete stop.

Problem	Possible cause	Remedy
The motor will not start	No power supply	Check the power supply.
	Faulty power cord	To check, inform yourself at an authorised service centre
	Fuse against overloading was activated	Wait until the machine cools down and press the fuse button.
	The collection box safety lock (the collection box is unlocked)	Check and lock the collection box
The motor can be heard, but is not working	The cutting roller is blocked	Turn off the machine.
		Switch the forward/reverse switch to reverse rotation.
		Turn the machine on until the blockage is cleared.
		Again turn the machine off.
	Switch back to the forward rotation.	
Malfunction of a capacitor	Take the machine to an authorised service centre for repair.	
The shredded material is not being pulled into the shredder	The reverse rotation direction is set.	Turn the machine off and switch the rotation direction using the switch.
	The shredded material is jammed in the filling funnel	Turn the machine off. Switch the forward/reverse switch to reverse rotation. Turn on the machine to release the shredded material, remove undesired material.
		Turn the machine off again.
		Switch back to the forward rotation.
	The shredded material is too soft or wet	Push the material into the shredder
Incorrectly set counter-blade / cutting roller	Set the counter-blade as described in "Setting up and working with the shredder".	
	In the event that the cutting roller / counter-blade is heavily worn out, replace it.	
The shredded material is not cleanly chopped up	The counter-blade is not set properly	Set the counter-blade as described in the previous paragraph
The machine turns on but is blocked even by a small load and is soon shut off by the motor protection switch.	The extension cord is too long or the cross-section of its wires is too small. The power socket is too far from the power source or the cross-section of the wires in the power cord is too small	Check that the wire cross-section of the extension cord is at least 1.5 mm ² , and no longer than 25 m. If a longer power cord is used then the minimum wire cross-section is 2.5 mm ²

12. TECHNICAL SPECIFICATIONS

Rated voltage	230–240 V~/50 Hz
Rated power input	2800 W
Protection class	II
Protection marking	IP24
Idle speed	60 RPM
Maximum branch diameter	44 mm
Collection box capacity	60 l
Sound pressure level (LPA)*	73 dB(A)
Sound power level (LWA)*	94 dB(A)
Weight	19.4 kg

13. DISPOSAL

INSTRUCTIONS AND INFORMATION REGARDING THE DISPOSAL OF USED PACKAGING MATERIALS

Dispose of used packaging material at a site designated for waste in your municipality.



The machine and its accessories are manufactured from various materials, e.g. metal and plastic.

Take damaged parts to a recycling centre. Inquire at the relevant government department.



This appliance meets all the basic requirements of EU directives related to it.

Changes in the text, design and technical specifications may be made without prior notice and we reserve the right to make these changes.

User's manual in the original language.

14. DECLARATION OF CONFORMITY

DECLARATION OF CE CONFORMITY

Manufacturer:

FAST ČR, a. s.
Černokostelecká 2111, 100 00 Prague 10, Czech Republic
Tax ID number: CZ26726548

Product/brand: ELECTRIC SHREDDER / FIELDMANN

Type/model: FZD 5015-E
230–240 V~, 50 Hz, 2800 W

This product meets the requirement of the directives and regulations below:

ES Council Directive No. 2006/42/ES for machinery
ES Directive No. 2014/30/EU for electromagnetic compatibility (EMC)
ES Directive No. 2011/65/EU on the reduction of hazardous substances in electrical and electronic equipment

and norms:

EN 62233:2008
EN 55014-1:2006+A2+A1
EN 55014-2/A2:2008
EN 61000-3-2:2014
N 6100-3-11:2000
EN 50434:2014
EN 60335-1:2012+A11

CE mark: 16

Place of issue: Prague

Date of issue: 1. 8. 2016

Name: Ing. Zdeněk Pech
Board Chairman

Signature:

FAST FAST ČR, a. s. 
Černokostelecká 1021, 251 01 říčany
IČO: 26726548 tel.: +420/ 323 204 111
DIČ: CZ26726548 fax: +420/ 323 204 110



Zahradní štěpkovač

NÁVOD K OBSLUZE

Vážená zákaznice, vážený zákazníku,

děkujeme mnohokrát za projevenou důvěru!

Před prvním uvedením přístroje do provozu si bezpodmínečně přečtete tento návod na obsluhu! Naleznete v něm všechny pokyny pro bezpečné používání a dlouhou životnost přístroje. Bezpodmínečně dodržujte všechny bezpečnostní pokyny, uvedené v tomto návodu!

OBSAH

1. VŠEOBECNÉ BEZPEČNOSTNÍ PŘEDPISY	20
Důležitá bezpečnostní upozornění	20
Obal	20
Návod k použití.....	20
2. SYMBOLY	21
3. DŘÍVE NEŽ ZAČNETE.....	22
Použití přiměřené určení	22
4. PRO VAŠI BEZPEČNOST	22
Všeobecné bezpečnostní pokyny.....	22
Elektrická bezpečnost	23
Údržba	23
Upozornění specifická pro přístroj	23
5. POPIS STROJE.....	25
Popis stroje (viz Obr. 1).....	25
6. SESTAVENÍ ŠTĚPKOVAČE	26
7. OBSLUHA ŠTĚPKOVAČE.....	28
Zapnutí a vypnutí štěpkovače (Obr. 5).....	28
Přepínač vpřed / zpětný chod (Obr. 5, bod 3).....	28
Ochrana proti přetížení.....	28
Záchytná nádoba	29
Kryt řezného válce (Obr. 1, bod 11)	29
8. NASTAVENÍ A PRÁCE SE ŠTĚPKOVAČEM	30
Nastavení vzdálenosti protinože	30
Před zapnutím.....	30
Materiál, který může štěpkovač zpracovávat.....	30
Štěpkovač NESMÍ zpracovávat následující typy materiálů:	30
9. PROVOZ	31
10. ÚDRŽBA	31
11. ŘEŠENÍ PROBLÉMŮ.....	32
12. TECHNICKÉ ÚDAJE.....	33
13. LIKVIDACE.....	33
14. PROHLÁŠENÍ O SHODĚ	34

1. VŠEOBECNÉ BEZPEČNOSTNÍ PŘEDPISY

Důležitá bezpečnostní upozornění


- ✿ Výrobek pečlivě vybalte a dejte pozor, abyste nevyhodili žádnou část obalového materiálu dříve, než najdete všechny součásti výrobku.
- ✿ Výrobek uchovávejte na suchém místě mimo dosah dětí.
- ✿ Čtěte všechna upozornění a pokyny. Zanedbání při dodržování varovných upozornění a pokynů mohou mít za následek úraz elektrickým proudem, požár a/nebo těžká poranění.

Obal

Výrobek je umístěn v obalu bránícím poškozením při transportu. Tento obal je surovinou a lze jej proto odevzdat k recyklaci.

Návod k použití

Než začnete se strojem pracovat, přečtěte si následující bezpečnostní předpisy a pokyny k používání. Seznamte se s obslužnými prvky a správným používáním zařízení. Návod pečlivě uschovejte pro případ pozdější potřeby. Minimálně po dobu záruky doporučujeme uschovat originální obal včetně vnitřního balicího materiálu, pokladní doklad a záruční list. V případě přepravy zabalte stroj zpět do originální krabice od výrobce, zajistíte si tak maximální ochranu výrobku při případném transportu (např. stěhování nebo odeslání do servisního místa).

 **POZNÁMKA:** Předáváte-li stroj dalším osobám, předejte jej společně s návodem. Dodržování příloženého návodu k obsluze je předpokladem řádného používání stroje. Návod k obsluze obsahuje rovněž pokyny pro obsluhu, údržbu a opravy.

Výrobce nepřebírá odpovědnost za nehody nebo škody vzniklé následkem nedodržování tohoto návodu.

2. SYMBOLY



Před uvedením do provozu dbejte bezpečnostních pokynů.



Před uvedením do provozu si přečtěte návod k použití a řiďte se jím.



Nebezpečí úřiznutí.



Nesahejte do trychtýře.



Nebezpečí způsobené odmrštěnými předměty.



Dodržujte bezpečnou vzdálenost od kolem stojících osob.



Pokud je kabel poškozený nebo přerušný, okamžitě odpojte zástrčku ze sítě.



Hlasitost přístroje.



POZOR: Nepoužívejte štěpkovač za vlhkého či deštivého počasí a chraňte jej před vlhkem.



Vyčkejte na zastavení všech součástí štěpkovače.

Osobní ochranné pracovní pomůcky



Při práci s přístrojem používejte ochranu sluchu a ochranné brýle.



Při práci s přístrojem používejte pevnou obuv.



Při práci s přístrojem používejte ochranné rukavice.



Při práci s přístrojem noste těsně přiléhající pracovní oděv.

Elektrická bezpečnost

- ☛ Přístroj se smí připojit pouze na zásuvku s řádně instalovaným ochranným kontaktem.
- ☛ Zajištění přístroje se musí provést pomocí proudového chrániče (spínač FI) s dimenzovaným chybným proudem nepřesahujícím 30 mA.
- ☛ Před připojením přístroje se musí zabezpečit, aby síťová přípojka odpovídala hodnotám pro připojení přístroje.
- ☛ Přístroj se smí používat pouze v rámci uvedených limitů napětí, výkonu a otáček (viz typový štítek).
- ☛ Nedotýkejte se síťové zástrčky mokryma rukama! Síťovou zástrčku vytahuje vždy za konektor, ne za kabel.
- ☛ Síťový kabel nepřehýbat, nepřiskřípnout, netahat nebo nepřejíždět, chránit před ostrými hranami, olejem a horkem.
- ☛ Přístroj nezdvíhejte za kabel a kabel nepoužívejte na žádné jiné účely.
- ☛ Před každým použitím zkontrolujte zástrčku a kabel.
- ☛ Při poškození síťového kabelu okamžitě vytáhněte síťovou zástrčku. Nikdy nepoužívejte přístroj s poškozeným síťovým kabelem.
- ☛ Pokud se přístroj nepoužívá, musí být síťová zástrčka vždy vytažená.
- ☛ Před zasunutím síťové zástrčky zajistěte, aby byl přístroj vypnutý.
- ☛ Před vytažením síťové zástrčky přístroj vždy vypněte.
- ☛ Pro přepravu uveďte přístroj do stavu bez proudu.

Údržba

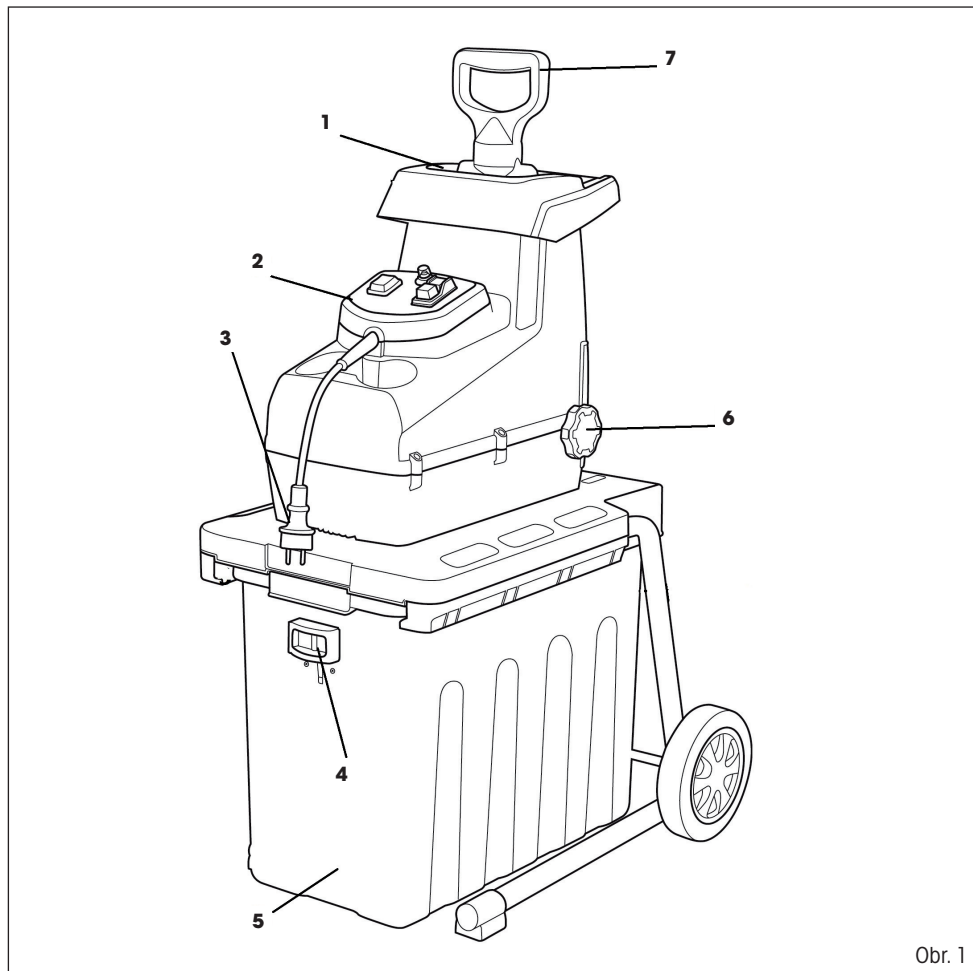
- ☛ Před prováděním jakýchkoliv prací na přístroji vytáhněte síťovou zástrčku ze zásuvky.
- ☛ Provádět se smí jen údržba a odstranění poruch, které popsány v tomto návodu k použití. Všechny ostatní práce musí provádět odborník.
- ☛ Používejte jen originální náhradní díly. Pouze tyto náhradní díly jsou pro zařízení konstruované a vhodné. Jiné náhradní díly mají za následek nejen ztrátu záruky, ale mohou ohrozit vás i vaše okolí.

Upozornění specifická pro přístroj

- ☛ Během provozu nezasahujte do plnicího trychtýře nebo vyhazovací šachtice. Přístroj po vypnutí ještě cca 5 sekund dobíhá.
- ☛ Před zapnutím je nutno přístroj smontovat dle předpisu.
- ☛ Před zapnutím zkontrolujte, zda jsou pevně dotažené všechny šrouby, matice a ostatní upevňovací součásti a zda jsou správně namontované ochranné prvky.
- ☛ Při práci se strojem vždy dbejte na jisté a stabilní postavení a přirozenou polohu těla.
- ☛ Pracujte jen při dobrém osvětlení a dobré viditelnosti.
- ☛ Oděv obsluhujícího musí přiléhat k tělu. Volné oděvy je třeba vyloučit. Noste pevnou obuv a dlouhé pracovní kalhoty.
- ☛ Stroj používejte pouze venku, na pevné a rovné ploše.
- ☛ Při práci nechte kolem přístroje dostatek volného prostoru. Přístroj nestavte blízko ke stěně.
- ☛ Přístroj v provozu nezdvíhejte, nenakláňte nebo nepřevazujte.
- ☛ Před spuštěním přístroje se ujistěte, že je trychtýř pro vhazování prázdný.
- ☛ Zapnutý přístroj nenechávejte nikdy bez dozoru.
- ☛ Při provozu dávejte pozor na to, aby se do přístroje nedostaly žádné cizí předměty (jako kameny, sklo, kov, zemina, plast, atd.). Mohly by poškodit motor nebo řezný válec.
- ☛ Pokud by se do řezacího ústrojí dostaly cizí předměty nebo přístroj vydával nezvyklé zvuky nebo nezvykle vibroval, okamžitě vypněte motor a nechte stroj doběhnout.

- ✿ Nikdy nepoužívejte přístroj bez vkládacího trychtýře.
- ✿ Pokud je štěpkovač ucpaný, nejprve přístroj vypněte, vytáhněte zástrčku ze zásuvky a před odstraněním ucpání počkejte na úplný klidový stav přístroje. Udržujte zapínač/vypínač čistý a bez cizích těles.
- ✿ Nikdy se nepokoušejte při pohybujícím se řezném válci přidržovat nebo odstraňovat drcený materiál. Zachycený drcený materiál odstraňujte, pouze když je stroj vypnutý.
- ✿ Zabraňte přímému kontaktu s rotujícím řezným válcem. Pokud je stroj v chodu, mějte ruce a nohy mimo otvory.
- ✿ Nestrkejte ruce nebo jiné části těla nebo oblečení do plnicí komory, vyhazovacího kanálu nebo do blízkosti jiných pohyblivých součástí.
- ✿ Drcený materiál odstraňte z vyhazovací zóny vždy předtím, než dojde k jeho nahromadění. Tak se zabrání ucpání štěpkovače nebo tomu, aby se drcený materiál dostal zpětným rázem zase do plnicího trychtýře a tím způsobil úrazy.
- ✿ V okruhu 3 m kolem pracovního prostoru, se nesmějí zdržovat jiné osoby nebo zvířata, protože by je mohly zranit odmrštěné předměty.
- ✿ Nepoužívejte přístroj na dlážděné nebo betonové ploše. Drcený materiál by se mohl odrazit a způsobit zranění.
- ✿ Symboly, které se nacházejí na Vašem přístroji, se nesmějí odstraňovat ani zakrývat. Upozornění na přístroji, která už nejsou čitelná, musí být neprodleně nahrazena novými.

5. POPIS STROJE



Obr. 1

Popis stroje (viz Obr. 1)

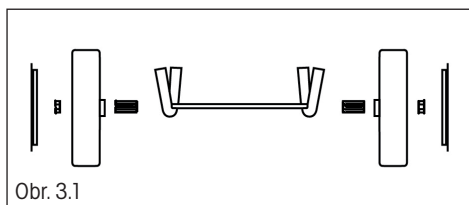
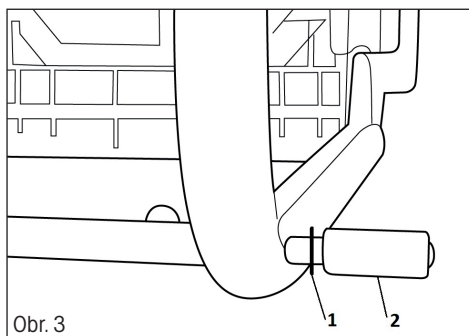
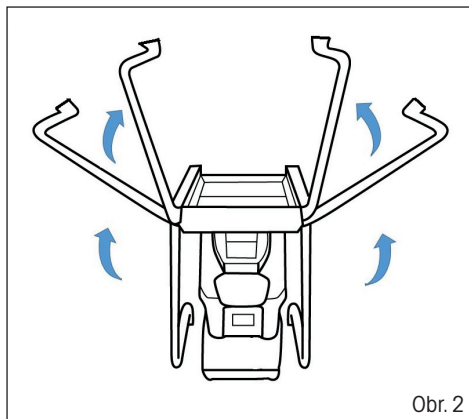
1. Plnicí otvor
2. Ovládací panel
3. Napájecí kabel
4. Bezpečnostní pojistka záchytné nádoby
5. Záchytná nádoba
6. Šroub nastavení řezu
7. Plastový pýchovač

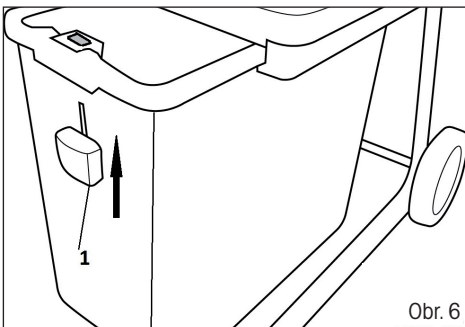
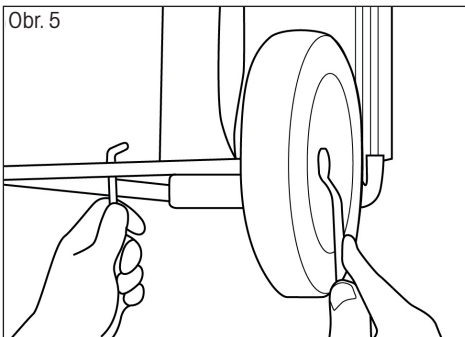
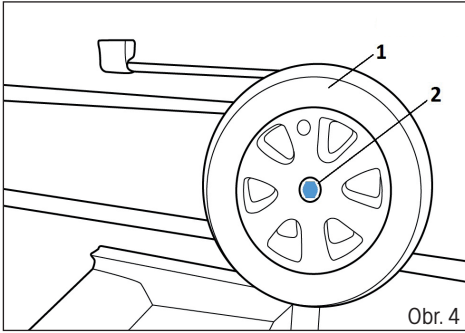
6. SESTAVENÍ ŠTĚPKOVAČE

⚠ UPOZORNĚNÍ: Před vykonáváním jakýchkoliv prací na stroji se ujistěte, že je vypnutý a odpojený od napájení.

- Otočte tělo štěpkovače vzhůru nohama a položte jej na rovnou podlahu.
Poté zvedněte nohy směrem vzhůru. Obr 2.
- Namontujte kola následovně:
 - prostrčte osu kol otvory v rámu
 - na každou stranu osy umístěte podložku a pouzdro kola. Obr 3.
 - Nasadte kolo a zajistěte ho matkou. Obr 4.
 - Otvorem v ose kol prostrčte šestihranný klíč a dotáhněte matku kola. Obr 5.
 - Nakonec nasadte krytku kola
 - Tento postup opakujte pro obě kola
- Vložte záchytný koš a zajistěte bezpečnostní pojistkou. Obr 6, bod 1

⚠ POZOR! Bezpečnostní pojistka musí být řádně zajištěna jinak nedojde ke spuštění stroje.





7. OBSLUHA ŠTĚPKOVAČE

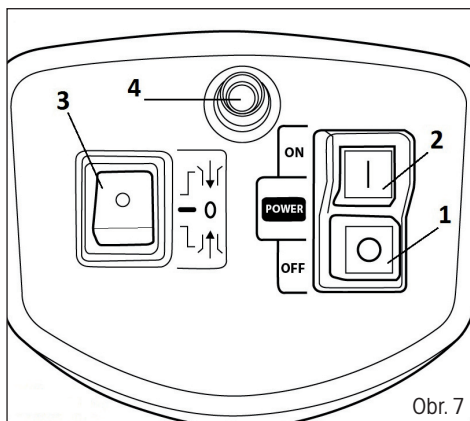
⚠ VAROVÁNÍ: Před připojením stroje ke zdroji napájení se vždy ujistěte, že je spínač vypnutý. Připojování zařízení se zapnutým spínačem může způsobit neočekávané zapnutí s následkem vážného zranění.

Zapnutí a vypnutí štěpkovače (Obr. 7)

⚠ UPOZORNĚNÍ: Nelze-li spínač stroje zapnout a vypnout, se strojem nepracujte. Vadné spínače nechejte nahradit v autorizovaném servisním středisku.

- ☼ K zapnutí štěpkovače stiskněte tlačítko označené symbolem „I“. Obr. 7., bod 2
- ☼ K vypnutí štěpkovače stiskněte tlačítko označené symbolem „O“. Obr. 7. bod 1

⚠ UPOZORNĚNÍ: Stroj se automaticky vypne, když dojde k výpadku proudu. K opětovnému zapnutí stiskněte tlačítko označené symbolem „I“.



Přepínač vpřed / zpětný chod (Obr. 7, bod 3)

⚠ UPOZORNĚNÍ: Vypněte štěpkovač před přepnutím přepínače vpřed / zpětný chod.

Poloha vpřed

- ☼ Standardní chod štěpkovače. Řezný válec se otáčí směrem vpřed.

Poloha zpět

- ☼ Řezný válec se otáčí opačným směrem za účelem uvolnění zaseknutého materiálu.
- ☼ Při změně směru na zpětný chod, je nutné přerušovaně stlačovat tlačítko označené symbolem „I“, aby se válec otáčel. Válec se automaticky zastaví, když tlačítko uvolníte.

📖 POZNÁMKA: K rozdrncení velké větve může být nutné několikrát opakování procedury s během štěpkovače vpřed a vzad. **Před opětovnou změnou chodu vždy vyčkejte, než se štěpkovač zcela zastaví.**

Ochrana proti přetížení

- ☼ Štěpkovač je vybaven pojistkou proti přetížení (Obr. 7, bod 4)
- ☼ V případě přetížení pojistka motoru automaticky přeruší elektrický obvod.
- ☼ Pro obnovení funkce postupujte následovně:
 1. Vypněte stroj tak, aby byl bez napětí.
 2. Odstraňte materiál, který štěpkovač zablokoval
 3. Nechte motor minimálně pět minut vychladnout!
 4. Stiskněte tlačítko bezpečnostní pojistky (Obr. 7, bod 4).

5. Znovu připojte napájení elektřinou.
6. Štěpkovač zapněte.

⚠ UPOZORNĚNÍ: Aby se zabránilo nehodám, k odstranění zaseknutých předmětů vždy používejte hák nebo tyč.

Záchytná nádoba

- ☼ Před připevnováním nebo snímáním záchytné nádoby vždy štěpkovač vypněte a odpojte ho od napájení.
- ☼ Rukojeť záchytné nádoby (Obr. 6, bod 1) je z bezpečnostních důvodů vybavena pojistkou.
- ☼ Pro bezpečný provoz kontrolujte funkčnost pojistky po dvou hodinách práce.
- ☼ Nikdy se nepokoušejte bezpečnostní pojistku madla vyřadit z provozu.

Rukojeť záchytné nádoby:

Rukojeť ve spodní poloze >>> záchytná nádoba je odjištěna. Bezpečnostní pojistka je aktivována, štěpkovač nelze spustit.

Rukojeť v horní poloze >>> záchytná nádoba je zajištěna a štěpkovač je připraven k práci.

📖 POZNÁMKA: Stroj se nezapne, když je záchytná nádoba odjištěna. Stroj se automaticky vypne, když je záchytná nádoba během práce uvolněna.

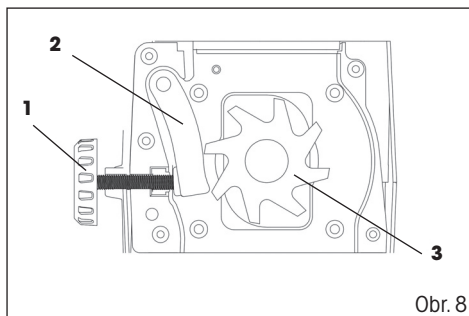
8. NASTAVENÍ A PRÁCE SE ŠTĚPKOVAČEM

Nastavení vzdálenosti protinože

- ✿ Pro efektivní provoz je nutné nastavit vzdálenost mezi protinožem (Obr. 8, bod 2) a řezným válcem (Obr. 8, bod 3). Mezera mezi řezným válcem a protinožem by měla být co nejmenší.
- ✿ Správné nastavení umožní efektivní štěpkování všech průměrů štěpkovaných větví.

Nastavení vzdálenosti:

- ✿ Stroj zapněte.
- ✿ Za účelem přitážení protinože k řeznému válci otáčejte pomalu po směru hodinových ručiček šroubem nastavení (Obr. 8, bod 1). Šroubem otáčejte, dokud z otvoru pro vyhazování nezačnou padat jemné hliníkové piliny.



POZNÁMKA: Měkký materiál nebo mokré větve se mohou místo řezání trhat. Tento problém může způsobovat i protinůž, který je po častém používání opotřebovaný.

Před zapnutím

Ujistěte se, že:

- ✿ Připojovací kabely nejsou poškozené. Pokud se zde nachází prořiznutí nebo trhliny, přerušete práci a ihned jej vyměňte.
- ✿ Stroj není poškozený a všechny šrouby jsou utažené.
- ✿ Stroj je úplně a správně sestaven.

Zkontrolujte napájení:

- ✿ Ujistěte se, že napětí napájení odpovídá jmenovitému napětí na typovém štítku a že je stroj správně uzemněn.
- ✿ Používejte pouze prodlužovací kabely s dostatečným průřezem vodičů.

Materiál, který může štěpkovač zpracovávat

Štěpkovač může zpracovávat následující typy materiálů:

- ✿ Všechny typy větví až do maximálního průměru, který je uveden v technické specifikaci.
- ✿ Zahradní odpad jako jsou zvadlé rostliny či mokrá tráva (štěpkujte střídavě s větvemi.)

Štěpkovač NESMÍ zpracovávat následující typy materiálů:

- ✿ Sklo, kovy, plasty, kameny, keramika, tlustší větve než je uvedeno v technické specifikaci, tvrdé dřevo, tlusté dřevěné desky, tkaniny, plastikové tašky, kořeny se zeminou.
- ✿ Odpadky, které jsou těměř v kapalném skupenství, např. kuchyňské odpadky.

9. PROVOZ

- ✿ Materiál vkládejte do násypky z pravé strany.
- ✿ Větve drťte těsně poté, co se nařežou. Když uschnou, mohou se stát velice tvrdými.
- ✿ Odstraňte všechny boční výhonky z větví, v případě, že není možné takové do štěpkovače vsunout.
- ✿ Zabráňte příliš velkému nahromadění štěpky v záchytné nádobě. Nádobu pravidelně vyprazdňujte, nahromaděný rozdrčený materiál může blokovat otvor pro vyhazování.
- ✿ Nevkládejte materiál, který je větší než je maximální průměr větve uvedené v technických specifikacích.
- ✿ Drcení mokrého zahradního odpadu (spadané listí) vyústí v ucpání. Aby se předešlo ucpání, střídejte odpad s materiálem obsahujícím dřevo.
- ✿ Měkké materiály nebo mokré větve mohou být roztrhány místo toho, aby byly rozsekány. Tento problém může také způsobit opotřebený protinůž.
- ✿ Před čištěním otvoru pro vyhazování vypněte motor a odpojte zařízení od napájení.

10. ÚDRŽBA

⚠ UPOZORNĚNÍ:

- ✿ Před vykonáváním kontroly či údržby na stroji se ujistěte, že je vypnutý a odpojený od napájení. Pozor řezný válec se nezastaví ihned po vypnutí zařízení, vyčkejte, než se všechny díly zastaví
- ✿ Před vykonáváním kontroly či údržby si oblékněte ochranné rukavice.
- ✿ K čištění nikdy nepoužívejte benzín, ředidlo, alkohol a podobně. Mohlo by dojít k odbarvení, deformaci nebo prasklinám.
- ✿ K čištění stroje používejte pouze vlhký hadřík a měkký kartáček.
- ✿ Nepoužívejte hadici ani stroj nemýjte tlakovou vodou.

Po každé operaci vykonajte následující údržbu:

- ✿ Zkontrolujte, zda jsou všechny upevňovací šrouby utažené (pokud je to nutné, utáhněte je).
- ✿ Kovové díly namažte kvůli ochraně proti korozi.
- ✿ Udržte otvory čisté a bez prachu.
- ✿ Řezný válec a protinůž se v průběhu času opotřebují. Pokud je to nezbytné, o výměně se informujte ve Vašem nejbližším autorizovaném servisním středisku.

11. ŘEŠENÍ PROBLÉMŮ

⚠ VAROVÁNÍ: Před řešením problémů stroj vypněte, odpojte od napájení a vyčkejte, než se zcela zastaví.

Problém	Možná příčina	Náprava
Motor se nezapíná	Žádné napájení	Zkontrolujte napájení.
	Vadný napájecí kabel	Pro kontrolu se informujte v autorizovaném servisním středisku
	Aktivována pojistka proti přetížení	Vyčkejte, než se stroj ochladí a stiskněte tlačítko pojistky.
	Bezpečnostní pojistka záchytného koše (Záchytný koš je odjištěn)	Zkontrolujte a zajistěte záchytný koš
Motor je slyšet, ale nepracuje	Řezný válec je zablokovaný	Vypněte stroj.
		Přepněte přepínač vpřed/zpětný chod do směru pro zpětný chod.
		Stroj zapněte, dokud se zaseknutí neuvolní.
		Znovu stroj vypněte.
Porucha kondenzátoru	Pro opravu stroj dopravte do autorizovaného servisního střediska.	
Drcený materiál není vtahován do štěpkovače	Otáčení nastaveno na zpětný chod.	Stroj vypněte a přepněte směr otáčení přepínačem.
	Drcený materiál zachycený v násypce	Stroj vypněte. Přepněte přepínač vpřed/zpětný chod do směru pro zpětný chod. Zapněte zařízení k uvolnění drceného materiálu, odstraňte nečistoty.
		Stroj opět vypněte.
		Vraťte směr na otáčení vpřed.
	Drcený materiál příliš měkký nebo mokrá	Materiál do štěpkovače vtačte
Špatně nastavený protinůž /řezný válec	Nastavte protinůž tak, jak je popsáno v „Nastavení a práce se štěpkovačem“.	
	V případě, že je řezný válec/protinůž silně opotřebovaný, vyměňte jej.	
Drcený materiál není čistě rozsekaný	Pevný protinůž není správně nastaven	Nastavte protinůž viz předchozí odstavec
Stroj se zapne, ale je blokováno i mírným zatížením a brzy se vypne ochranným vypínačem motoru.	Prodlužovací kabel je příliš dlouhý nebo jeho vodiče příliš tenké. Zásuvka je příliš daleko od zdroje napájení nebo jsou vodiče napájecího kabelu příliš tenké	Zkontrolujte, že prodlužovací kabel je nejméně 1,5 mm ² , maximálně 25 m dlouhý. Při použití delšího kabelu je minimální průřez 2,5 mm ²

12. TECHNICKÉ ÚDAJE

Jmenovité napětí.....	230–240 V~/50 Hz
Jmenovitý příkon.....	2800 W
Třída ochrany.....	II
Krytí.....	IP24
Otáčky volnoběhu.....	60 RPM
Maximální průměr větví.....	44 mm
Kapacita záchytné nádoby.....	60 l
Hladina akustického tlaku (LPA)*.....	73 dB(A)
Hladina akustického výkonu (LWA)*.....	94 dB(A)
Hmotnost.....	19,4 kg

13. LIKVIDACE

POKYNY A INFORMACE O NAKLÁDÁNÍ S POUŽITÝM OBALEM

Použitý obalový materiál odložte na místo určené obcí k ukládání odpadu.



Stroj a jeho příslušenství jsou vyrobeny z různých materiálů, např. z kovu a plastů. Poškozené součástky odevzdejte do tříděného sběru. Informujte se u příslušného úřadu.



Tento výrobek splňuje veškeré základní požadavky směrnic EU, které se na něj vztahují.

Změny v textu, designu a technických specifikacích se mohou měnit bez předchozího upozornění a vyhrazujeme si právo na jejich změnu.

Návod k použití v originálním jazyce.

14. PROHLÁŠENÍ O SHODĚ

PROHLÁŠENÍ O SHODĚ CE

Výrobce:

FAST ČR, a. s.
Černokostelecká 2111, 100 00 Praha 10, Česká republika
DIČ: CZ26726548

Produkt/značka: ELEKTRICKÝ DRTIČ / FIELDMANN

Typ/model: FZD 5015-E
230–240 V~, 50 Hz, 2800 W

Tento produkt splňuje požadavky níže uvedených směrnic a předpisů:

Směrnice Rady ES pro strojní zařízení 2006/42/ES
Směrnice ES pro elektromagnetickou kompatibilitu (EMC) č. 2014/30/EU
Směrnice ES o omezení používání některých nebezpečných látek v elektrických a elektronických zařízeních 2011/65/EU

a norem:

EN 62233:2008
EN 55014-1:2006+A2+A1
EN 55014-2/A2:2008
EN 61000-3-2:2014
N 6100-3-11:2000
EN 50434:2014
EN 60335-1:2012+A11

Označení CE: 16

Místo vydání: Praha

Datum vydání: 1. 8. 2016

Jméno: Ing. Zdeněk Pech
Předseda představenstva

Podpis:

FAST FAST ČR, a. s. 
Černokostelecká 1021, 251 01 Říčany
IČO: 26726548 tel.: +420/ 323 204 111
DIČ: CZ26726548 fax: +420/ 323 204 110



Záhradný štiepkovač

NÁVOD NA OBSLUHU

Vážená zákazníčka, vážený zákazník,

d'akujeme mnohokrát za prejavenu dôveru!

Pred prvým uvedením prístroja do prevádzky si bezpodmienečne prečítajte tento návod na obsluhu! Nájdete v ňom všetky pokyny na bezpečné používanie a dlhú životnosť prístroja. Bezpodmienečne dodržujte všetky bezpečnostné pokyny, uvedené v tomto návode!

OBSAH

1. VŠEOBECNÉ BEZPEČNOSTNÉ PREDPISY.....	36
Dôležité bezpečnostné upozornenia	36
Obal	36
Návod na použitie.....	36
2. SYMBOLY	37
3. SKÔR AKO ZAČNETE.....	38
Použitie primerané určeniu.....	38
4. PRE VAŠU BEZPEČNOSŤ	38
Všeobecné bezpečnostné pokyny	38
Elektrická bezpečnosť.....	39
Údržba.....	39
Upozornenia špecifické pre prístroj.....	39
5. POPIS STROJA	41
Popis stroja (pozrite Obr. 1).....	41
6. ZOSTAVENIE ŠTIEPKOVAČA	42
7. OBSLUHA ŠTIEPKOVAČA.....	44
Zapnutie a vypnutie štiepkovača (Obr. 5).....	45
Prepínač vpred/spätný chod (Obr. 5, bod 3)	45
Ochrana proti preťaženiu.....	45
Záchytná nádoba	46
Kryt rezného valca (Obr. 1, bod 11).....	46
8. NASTAVENIE A PRÁCA SO ŠTIEPKOVAČOM.....	46
Nastavenie vzdialenosti protinoža.....	46
Pred zapnutím	46
Materiál, ktorý môže štiepkovač spracovávať	46
Štiepkovač NESMIE spracovávať nasledujúce typy materiálov:	46
9. PREVÁDZKA	47
10. ÚDRŽBA.....	47
11. RIEŠENIE PROBLÉMOV	48
12. TECHNICKÉ ÚDAJE.....	49
13. LIKVIDÁCIA.....	49
14. VYHLÁSENIE O ZHODE	50

1. VŠEOBECNÉ BEZPEČNOSTNÉ PREDPISY

Dôležité bezpečnostné upozornenia


- ✿ Výrobok starostlivo vybalte a dajte pozor, aby ste nevyhodili žiadnu časť obalového materiálu, skôr ako nájdete všetky súčasti výrobku.
- ✿ Výrobok uchovávajte na suchom mieste mimo dosahu detí.
- ✿ Čítajte všetky upozornenia a pokyny. Zanedbanie pri dodržiavaní varovných upozornení a pokynov môže mať za následok úraz elektrickým prúdom, požiar a/alebo ťažké poranenia.

Obal

Výrobok je umiestnený v obale brániacom poškodeniu pri transporte. Tento obal je surovinou a je preto možné ho odovzdať na recykláciu.

Návod na použitie

Skôr ako začnete so strojom pracovať, prečítajte si nasledujúce bezpečnostné predpisy a pokyny na používanie. Oboznámte sa s obslužnými prvkami a správnym používaním zariadenia. Návod dôkladne uschovajte pre prípad neskoršej potreby. Minimálne počas záruky odporúčame uschovať originálny obal vrátane vnútorného baliaceho materiálu, pokladničný doklad a záručný list. V prípade prepravy zabalte stroj späť do originálnej škatule od výrobcu, zaisťte si tak maximálnu ochranu výrobku pri prípadnom transporte (napr. sťahovanie alebo odoslanie do servisného miesta).

 **POZNÁMKA:** Ak odovzdávate stroj ďalším osobám, odovzdajte ho spoločne s návodom. Dodržiavanie priloženého návodu na obsluhu je predpokladom riadneho používania stroja. Návod na obsluhu obsahuje tiež pokyny na obsluhu, údržbu a opravy.

Výrobca nepreberá zodpovednosť za nehody alebo škody vzniknuté následkom nedodržiavania tohto návodu.

2. SYMBOLY



Pred uvedením do prevádzky dbajte na bezpečnostné pokyny.



Pred uvedením do prevádzky si prečítajte návod na použitie a riadte sa ním.



Nebezpečenstvo odrezania.



Nesiahajte do lievika.



Nebezpečenstvo spôsobené vymrštenými predmetmi.



Dodržujte bezpečnú vzdialenosť od okolostojacich osôb.



Ak je kábel poškodený alebo prerušený, okamžite odpojte zástrčku od siete.



Hlasitosť prístroja.



POZOR: Nepoužívajte štiepkovač za vlhkého či daždivého počasia a chráňte ho pred vlhkom.



Vyčkajte na zastavenie všetkých súčastí štiepkovača.

Osobné ochranné pracovné pomôcky



Pri práci s prístrojom používajte ochranu sluchu a ochranné okuliare.



Pri práci s prístrojom používajte pevnú obuv.



Pri práci s prístrojom používajte ochranné rukavice.



Pri práci s prístrojom noste tesne priliehajúci pracovný odev.

3. SKÔR AKO ZAČNETE...

Použitie primerané určeniu

- ✿ zodpovedá stavu vedy a techniky aj platným bezpečnostným ustanoveniam v čase uvádzania do prevádzky v rámci jeho použitia primeranému určeniu. Prístroj je určený na drvenie vláknitého alebo drevitého organického materiálu z domácnosti a záhrady. Nie je možné ho plniť kameňmi, sklom, kovom, kosťami, umelohmotnými alebo látkovými odpadmi.
- ✿ nie je koncipovaný na profesionálne použitie. Každé iné použitie je v rozpore so stanoveným účelom. Použitím, ktoré je v rozpore s určením, zmenami na prístroji alebo použitím dielov, ktoré neboli preskúšané a schválené výrobcom, môžu vzniknúť nepredvídateľné škody! Každé neprimerané použitie, príp. všetky činnosti na prístroji, ktoré neboli v tomto návode na použitie popísané, sú nedovoleným zneužitím mimo zákonných hraníc ručenia výrobcu.

4. PRE VAŠU BEZPEČNOSŤ

Všeobecné bezpečnostné pokyny

- ✿ Pre bezpečné zaobchádzanie s týmto prístrojom si jeho používateľ musí pred prvým použitím prečítať tento návod na použitie a porozumieť mu.
- ✿ Rešpektujte všetky bezpečnostné pokyny! Ak nebudete dbať na bezpečnostné pokyny, ohrozujete seba aj ostatných.
- ✿ Všetky návody na použitie a bezpečnostné pokyny si dobre uložte na neskoršie použitie.
- ✿ Keď prístroj predávate alebo odovzdávate ďalej, bezpodmienečne odovzdajte aj tento návod na použitie.
- ✿ Prístroj sa smie používať iba vtedy, ak je bez poruchy. Ak je prístroj alebo jeho časť poškodená, musí ho opraviť odborník.
- ✿ Prístroj nepoužívajte v priestoroch ohrozených výbuchom alebo v blízkosti horľavých kvapalín alebo plynov!
- ✿ Vypnutý prístroj vždy zaisťujte proti neúmyselnému zapnutiu.
- ✿ Nepoužívajte náradie, pri ktorom spínač Zap./Vyp. riadne nefunguje.
- ✿ Zabráňte deťom v prístupe k prístroju! Uložte prístroj tak, aby bol bezpečne chránený pred deťmi a nepovolánymi osobami.
- ✿ Nepreťažujte prístroj. Používajte prístroj iba na účely, na ktoré bol určený.
- ✿ Používajte vždy požadované osobné ochranné vybavenie.
- ✿ Pracujte vždy opatrne a v dobrej fyzickej kondícii: Pracovať počas únavy, ochorenia, požitia alkoholu, pod vplyvom liekov a omamných látok je nezodpovedné, pretože prístroj nemôžete bezpečne používať.
- ✿ Nepoužívajte ohrievacie teleso s časovým spínačom alebo s iným spínačom, ktorý automaticky spína prístroj, hrozilo by nebezpečenstvo požiaru.
- ✿ Zabezpečte, aby sa deti nehrali s výrobkom.
- ✿ Dodržujte vždy platné národné a medzinárodné bezpečnostné, zdravotné a pracovné predpisy.

Elektrická bezpečnosť

- ☛ Prístroj sa smie pripojiť iba na zásuvku s riadne inštalovaným ochranným kontaktom.
- ☛ Zaistenie prístroja sa musí vykonať pomocou prúdového chrániča (spínač FI) s dimenzovaným chybným prúdom nepresahujúcim 30 mA.
- ☛ Pred pripojením prístroja sa musí zabezpečiť, aby sieťová prípojka zodpovedala hodnotám na pripojenie prístroja.
- ☛ Prístroj sa smie používať iba v rámci uvedených limitov napätia, výkonu a otáčok (pozrite typový štítok).
- ☛ Nedoťýkajte sa sieťovej zástrčky mokrými rukami! Sieťovú zástrčku vyfahuje vždy za konektor, nie za kábel.
- ☛ Sieťový kábel neprehýbajte, nepriškripnite, nefahajte alebo neprechádzajte, chráňte pred ostrými hranami, olejom a horúčavou.
- ☛ Prístroj nezdvíhajte za kábel a kábel nepoužívajte na žiadne iné účely.
- ☛ Pred každým použitím skontrolujte zástrčku a kábel.
- ☛ Pri poškodení sieťového kábla okamžite vyťahnite sieťovú zástrčku. Nikdy nepoužívajte prístroj s poškodeným sieťovým káblom.
- ☛ Ak sa prístroj nepoužíva, musí byť sieťová zástrčka vždy vyťahaná.
- ☛ Pred zasunutím sieťovej zástrčky zaistite, aby bol prístroj vypnutý.
- ☛ Pred vytažením sieťovej zástrčky prístroj vždy vypnite.
- ☛ Pre prepravu uveďte prístroj do stavu bez prúdu.

Údržba

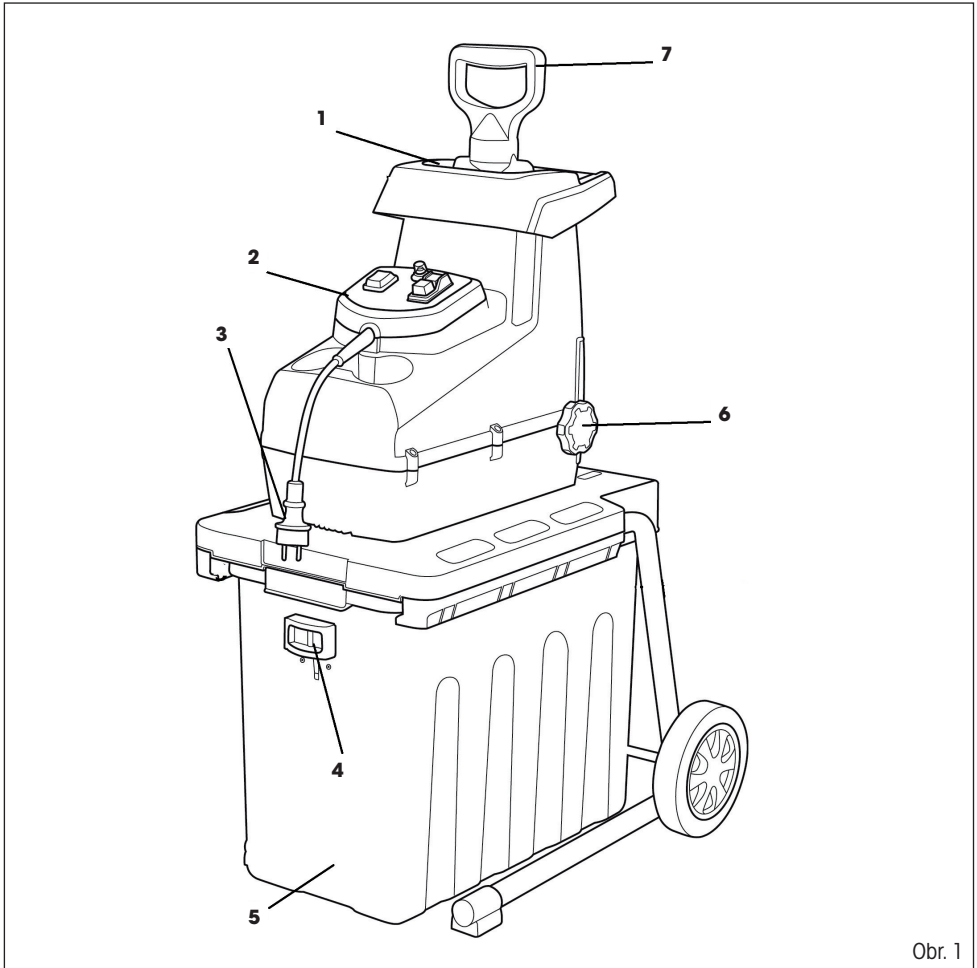
- ☛ Pred vykonávaním akýchkoľvek prác na prístroji vyťahnite sieťovú zástrčku zo zásuvky.
- ☛ Vykonávať sa smie len údržba a odstránenie porúch, ktoré sú popísané v tomto návode na použitie. Všetky ostatné práce musí vykonávať odborník.
- ☛ Používajte len originálne náhradné diely. Iba tieto náhradné diely sú pre zariadenie konštruované a vhodné. Iné náhradné diely majú za následok nielen stratu záruky, ale môžu ohroziť vás aj vaše okolie.

Upozornenia špecifické pre prístroj

- ☛ Počas prevádzky nezasahujte do plniaceho lievika alebo vyhadzovacej šachtice. Prístroj po vypnutí ešte cca 5 sekúnd dobieha.
- ☛ Pred zapnutím je nutné prístroj zmontovať podľa predpisu.
- ☛ Pred zapnutím skontrolujte, či sú pevne dotiahnuté všetky skrutky, matice a ostatné upevňovacie súčasti a či sú správne namontované ochranné prvky.
- ☛ Pri práci so strojom vždy dbajte na isté a stabilné postavenie a prirodzenú polohu tela.
- ☛ Pracujte len pri dobrom osvetlení a dobrej viditeľnosti.
- ☛ Odev obsluhujúceho musí priliehať k telu. Voľné odevy je potrebné vylúčiť. Noste pevnú obuv a dlhé pracovné nohavice.
- ☛ Stroj používajte iba vonku, na pevnej a rovnej ploche.
- ☛ Pri práci nechajte okolo prístroja dostatok voľného priestoru. Prístroj neumiestňujte blízko k stene.
- ☛ Prístroj v prevádzke nezdvíhajte, nenakláňajte alebo neprepravujte.
- ☛ Pred spustením prístroja sa uistite, či je lievik na vhadzovanie prázdny.
- ☛ Zapnutý prístroj nenechávajte nikdy bez dozoru.
- ☛ Pri prevádzke dávajte pozor na to, aby sa do prístroja nedostali žiadne cudzie predmety (ako kamene, sklo, kov, zemina, plast atď.). Mohli by poškodiť motor alebo rezný valec.
- ☛ Ak by sa do rezacieho ústrojenstva dostali cudzie predmety alebo prístroj vydával nezvyčajné zvuky alebo nezvyčajne vibroval, okamžite vypnite motor a nechajte stroj dobehnúť.

- ✿ Nikdy nepoužívajte prístroj bez vkladacieho lievika.
- ✿ Ak je štiepkovač upchatý, najprv prístroj vypnite, vytiahnite zástrčku zo zásuvky a pred odstránením upchatia počkajte na úplný pokojový stav prístroja. Udržujte zapínač/vypínač čistý a bez cudzích telies.
- ✿ Nikdy sa nepokúšajte pri pohybujúcom sa reznom valci pridržovať alebo odstraňovať drvený materiál. Zachytený drvený materiál odstraňujte, iba keď je stroj vypnutý.
- ✿ Zabráňte priamemu kontaktu s rotujúcim rezným valcom. Ak je stroj v chode, majte ruky a nohy mimo otvorov.
- ✿ Nestrkajte ruky alebo iné časti tela alebo oblečenia do plniacej komory, vyhadzovacieho kanála alebo do blízkosti iných pohyblivých súčastí.
- ✿ Drvený materiál odstráňte z vyhadzovacej zóny vždy pred tým, než dôjde k jeho nahromadeniu. Tak sa zabráni upchatiu štiepkovača alebo tomu, aby sa drvený materiál dostal spätným rázom zase do plniaceho lievika a tým spôsobil úrazy.
- ✿ V okruhu 3 m okolo pracovného priestoru sa nesmú zdržiavať iné osoby alebo zvieratá, pretože by ich mohli zraniť vymrštené predmety.
- ✿ Nepoužívajte prístroj na dláždenej alebo betónovej ploche. Drvený materiál by sa mohol odraziť a spôsobiť zranenie.
- ✿ Symboly, ktoré sa nachádzajú na vašom prístroji, sa nesmú odstraňovať ani zakrývať. Upozornenia na prístroji, ktoré už nie sú čitateľné, sa musia bezodkladne nahradiť novými.

5. POPIS STROJA



Popis stroja (pozrite Obr. 1)

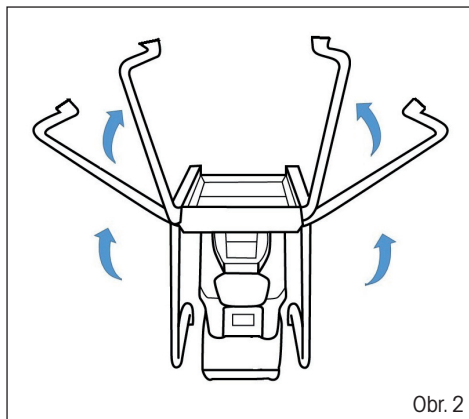
1. Plniaci otvor
2. Ovládací panel
3. Napájací kábel
4. Bezpečnostná poistka záchytnej nádoby
5. Záchytná nádoba
6. Skrutka nastavenia rezu
7. Plastové utláčadlo

6. ZOSTAVENIE ŠTIEPKOVAČA

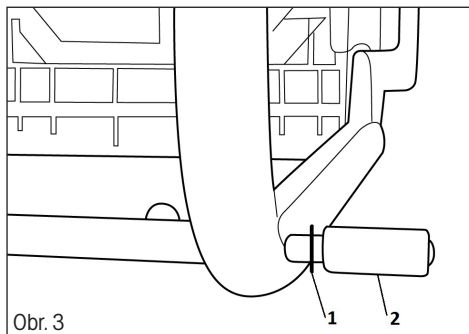
⚠ UPOZORNENIE: Pred vykonávaním akýchkoľvek prác na stroji sa uistite, či je vypnutý a odpojený od napájania.

- Otočte telo štiepkoča hore nohami a položte ho na rovnú podlahu.
Potom zdvihnite nohy smerom hore. Obr. 2.
- Namontujte kolesá nasledovne:
 - prestrčte os kolies otvormi v ráme
 - na každú stranu osi umiestnite podložku a puzdro kolesa. Obr. 3.
 - Nasadte koleso a zaistite ho maticou. Obr. 4.
 - Otvorom v osi kolies prestrčte šesťhranný kľúč a dotiahnite maticu kolesa. Obr. 5.
 - Nakoniec nasadte krytku kolesa
 - Tento postup opakujte pre obe kolesá
- Vložte záchytný kôš a zaistite bezpečnostnou poisťou. Obr. 6, bod 1

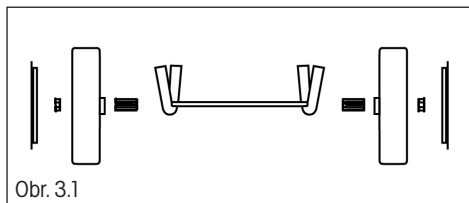
⚠ POZOR! Bezpečnostná poisťka musí byť riadne zaistená, inak nedôjde k spusteniu stroja.



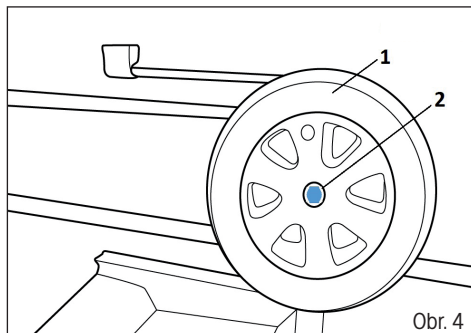
Obr. 2



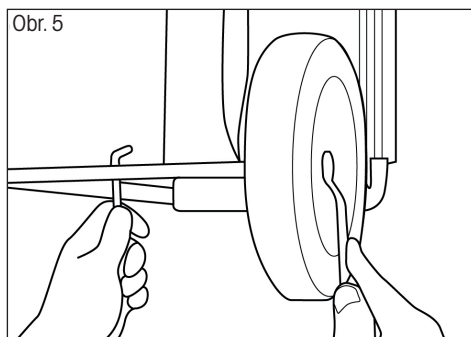
Obr. 3



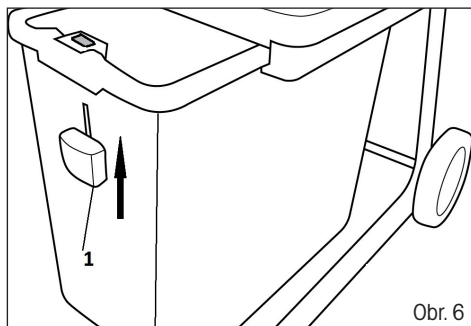
Obr. 3.1



Obr. 4



Obr. 5



Obr. 6

7. OBSLUHA ŠTIEPKOVAČA

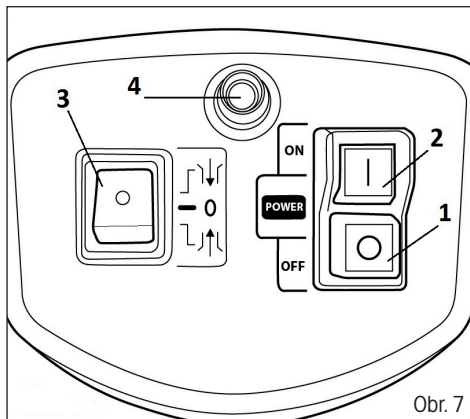
VAROVANIE: Pred pripojením stroja k zdroju napájania sa vždy uistite, či je spínač vypnutý. Pripájanie zariadenia so zapnutým spínačom môže spôsobiť neočakávané zapnutie s následkom vážneho zranenia.

Zapnutie a vypnutie štiepkovača (Obr. 7)

UPOZORNENIE: Ak nie je možné spínač stroja zapnúť a vypnúť, so strojom nepracujte. Chybné spínače nechajte nahraďiť v autorizovanom servisnom stredisku.

- ✿ Na zapnutie štiepkovača stlačte tlačidlo označené symbolom „I“. Obr. 7, bod 2
- ✿ Na vypnutie štiepkovača stlačte tlačidlo označené symbolom „O“. Obr. 7, bod 1

UPOZORNENIE: Stroj sa automaticky vypne, keď dôjde k výpadku prúdu. Na opätovné zapnutie stlačte tlačidlo označené symbolom „I“.



Obr. 7

Prepínač vpred/spätný chod (Obr. 7, bod 3)

UPOZORNENIE: Vypnite štiepkovač pred prepnutím prepínača vpred/spätný chod.

Poloha vpred

- ✿ Štandardný chod štiepkovača. Rezný valec sa otáča smerom vpred.

Poloha späť

- ✿ Rezný valec sa otáča opačným smerom na uvoľnenie zaseknutého materiálu.
- ✿ Pri zmene smeru na spätý chod, je nutné prerušovane stlačiť tlačidlo označené symbolom „I“, aby sa valec otáčal. Valec sa automaticky zastaví, keď tlačidlo uvoľníte.

POZNÁMKA: Na rozdrvenie veľkej vetvy môže byť nutné viacnásobné opakovanie procedúry s chodom štiepkovača vpred a vzad. **Pred opätovnou zmenou chodu vždy vyčkajte, než sa štiepkovač celkom zastaví.**

Ochrana proti preťaženiu

- ✿ Štiepkovač je vybavený poistkou proti preťaženiu (Obr. 7, bod 4)
- ✿ V prípade preťaženia poistka motora automaticky preruší elektrický obvod.
- ✿ Na obnovenie funkcie postupujte nasledovne:
 1. Vypnite stroj tak, aby bol bez napätia.
 2. Odstráňte materiál, ktorý štiepkovač zablokoval.
 3. Nechajte motor minimálne päť minút vychladnúť!
 4. Stlačte tlačidlo bezpečnostnej poistky (Obr. 7, bod 4).

5. Znovu pripojte napájanie elektrinou.
6. Štiepkovač zapnite.

⚠ UPOZORNENIE: Aby sa zabránilo nehodám, na odstránenie zaseknutých predmetov vždy používajte hák alebo tyč.

Záchytná nádoba

- ☼ Pred pripevňovaním alebo odoberaním záchytnej nádoby vždy štiepkovač vypnite a odpojte ho od napájania.
- ☼ Rukoväť záchytnej nádoby (Obr. 6, bod 1) je z bezpečnostných dôvodov vybavená poistkou.
- ☼ Pre bezpečnú prevádzku kontrolujte funkčnosť poistky po dvoch hodinách práce.
- ☼ Nikdy sa nepokúšajte bezpečnostnú poistku držadla vyradiť z prevádzky.

Rukoväť záchytnej nádoby:

Rukoväť v spodnej polohe >>> záchytná nádoba je odistená. Bezpečnostná poistka je aktivovaná, štiepkovač nie je možné spustiť.

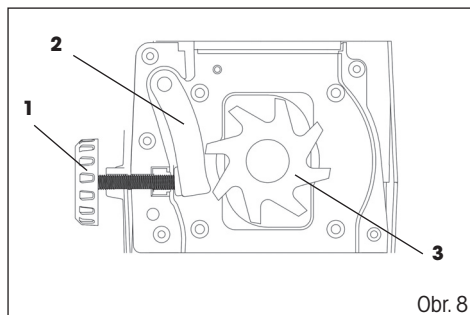
Rukoväť v hornej polohe >>> záchytná nádoba je zaistená a štiepkovač je pripravený na prácu.

📖 POZNÁMKA: Stroj sa nezapne, keď je záchytná nádoba odistená. Stroj sa automaticky vypne, keď je záchytná nádoba počas práce uvoľnená.

8. NASTAVENIE A PRÁCA SO ŠTIEPKOVAČOM

Nastavenie vzdialenosti protinoža

- ☼ Pre efektívnu prevádzku je nutné nastaviť vzdialenosť medzi protinožom (Obr. 8, bod 2) a rezným valcom (Obr. 8, bod 3). Medzera medzi rezným valcom a protinožom by mala byť čo najmenšia.
- ☼ Správne nastavenie umožní efektívne štiepkovanie všetkých priemerov štiepkovaných vetiev.



Nastavenie vzdialenosti:

- ☼ Stroj zapnite.
- ☼ Na pritiahnutie protinoža k reznému valcu otáčajte pomaly v smere hodinových ručičiek skrutkou nastavenia (Obr. 8, bod 1). Skrutkou otáčajte, kým z otvoru na vyhadzovanie nezačnú padať jemné hliníkové piliny.

POZNÁMKA: Mäkký materiál alebo mokré vetvy sa môžu namiesto rezania trhať. Tento problém môže spôsobovať aj protinož, ktorý je po častom používaní opotrebovaný.

Pred zapnutím

Uistite sa, či:

- ☼ Pripájacie káble nie sú poškodené. Ak sa tu nachádza prerezanie alebo trhliny, prerušte prácu a ihneď ho vymeňte.
- ☼ Stroj nie je poškodený a všetky skrutky sú utiahnuté.
- ☼ Stroj je úplne a správne zostavený.

Skontrolujte napájanie:

- ☼ Uistite sa, či napätie napájania zodpovedá menovitému napätiu na typovom štítku a či je stroj správne uzemnený.
- ☼ Používajte iba predĺžovacie káble s dostatočným prierezom vodičov.

Materiál, ktorý môže štiepkovač spracovávať

Štiepkovač môže spracovávať nasledujúce typy materiálov:

- ☼ Všetky typy vetiev až do maximálneho priemeru, ktorý je uvedený v technickej špecifikácii.
- ☼ Záhradný odpad, ako sú zvädnuté rastliny či mokrá tráva (štiepkujte striedavo s vetvami.)

Štiepkovač NESMIE spracovávať nasledujúce typy materiálov:

- ☼ Sklo, kovy, plasty, kamene, keramika, hrubšie vetvy než je uvedené v technickej špecifikácii, tvrdé drevo, hrubé drevené dosky, tkaniny, plastikové tašky, korene so zeminou.
- ☼ Odpadky, ktoré sú takmer v kvapálnom skupenstve, napr. kuchynské odpadky.

9. PREVÁDZKA

- ✿ Materiál vkladajte do násypky z pravej strany.
- ✿ Veľry drvte tesne po tom, čo sa narežú. Keď vyschnú, môžu sa stať veľmi tvrdými.
- ✿ Odstráňte všetky bočné výhonky z vetiev, v prípade, že nie je možné ich do štiepkovača vsunúť.
- ✿ Zabráňte príliš veľkému nahromadeniu štiepky v záchytnej nádobe. Nádobu pravidelne vyprázdňujte, nahromadený rozdrvený materiál môže blokovať otvor na vyhadzovanie.
- ✿ Nevkladajte materiál, ktorý je väčší než je maximálny priemer vetvy uvedený v technických špecifikáciách.
- ✿ Drvenie mokrého záhradného odpadu (popadané lístie) vyústi do upchatia. Aby sa predišlo upchatiu, striedajte odpad s materiálom obsahujúcim drevo.
- ✿ Mäkké materiály alebo mokré vetvy sa môžu roztrhať namiesto toho, aby sa rozsekali. Tento problém môže takisto spôsobiť opotrebovaný protinôž.
- ✿ Pred čistením otvoru na vyhadzovanie vypnite motor a odpojte zariadenie od napájania.

10. ÚDRŽBA

⚠ UPOZORNENIE:

- ✿ Pred vykonávaním kontroly či údržby na stroji sa uistite, či je vypnutý a odpojený od napájania. Pozor, rezný valec sa nezastaví ihneď po vypnutí zariadenia, vyčkajte, než sa všetky diely zastavia.
- ✿ Pred vykonávaním kontroly či údržby si oblečte ochranné rukavice.
- ✿ Na čistenie nikdy nepoužívajte benzín, riedidlo, alkohol a podobne. Mohlo by dôjsť k odfarbeniu, deformácii alebo prasklinám.
- ✿ Na čistenie stroja používajte iba vlhkú handričku a mäkkú kefku.
- ✿ Nepoužívajte hadicu ani stroj neumývajte tlakovou vodou.

Po každej operácii vykonajte nasledujúcu údržbu:

- ✿ Skontrolujte, či sú všetky upevňovacie skrutky utiahnuté (ak je to nutné, utiahnite ich).
- ✿ Kovové diely namažte kvôli ochrane proti korózii.
- ✿ Udržte otvory čisté a bez prachu.
- ✿ Rezný valec a protinôž sa v priebehu času opotrebovávajú. Ak je to nevyhnutné, o výmene sa informujte vo vašom najbližšom autorizovanom servisnom stredisku.

11. RIEŠENIE PROBLÉMOV

⚠ VAROVANIE: Pred riešením problémov stroj vypnite, odpojte od napájania a vyčkajte, než sa celkom zastaví.

Problém	Možná príčina	Náprava
Motor sa nezapína	Žiadne napájanie	Skontrolujte napájanie.
	Chybný napájací kábel	Pre kontrolu sa informujte v autorizovanom servisnom stredisku
	Aktivovaná poisťka proti preťaženiu	Vyčkajte, než sa stroj ochladí a stlačte tlačidlo poisťky.
	Bezpečnostná poisťka záchytného koša (Záchytný kôš je odistený)	Skontrolujte a zaistite záchytný kôš
Motor je počuť, ale nepracuje	Rezný valec je zablokovaný	Vypnite stroj.
		Prepnite prepínač vpred/spätný chod do smeru pre spätný chod.
		Stroj zapnite, kým sa zaseknutie neuvoľní.
		Znovu stroj vypnite.
	Vráťte smer na otáčanie vpred.	
Porucha kondenzátora	Na opravu stroj dopravte do autorizovaného servisného strediska.	
Drevený materiál sa nevŕahaže do štiepkovača	Otáčanie nastavené na spätný chod.	Stroj vypnite a prepnite smer otáčania prepínačom.
	Drevený materiál zachytený v násypke	Stroj vypnite. Prepňte prepínač vpred/spätný chod do smeru pre spätný chod. Zapnite zariadenie na uvoľnenie drveného materiálu, odstráňte nečistoty.
		Stroj opäť vypnite.
		Vráťte smer na otáčanie vpred.
	Drevený materiál príliš mäkký alebo mokrý	Materiál do štiepkovača vŕačte
Zle nastavený protinôž/rezný valec	Nastavte protinôž tak, ako je popísané v časti „Nastavenie a práca so štiepkovačom“. V prípade, že je rezný valec/protinôž silne opotrebovaný, vymeňte ho.	
Drevený materiál nie je čisto rozsekaný	Pevný protinôž nie je správne nastavený	Nastavte protinôž, pozrite predchádzajúci odsek
Stroj sa zapne, ale je blokovaný aj miernym zaťažením a skoro sa vypne ochranným vypínačom motora.	Predžvovací kábel je príliš dlhý alebo jeho vodiče príliš tenké. Zásuvka je príliš ďaleko od zdroja napájania alebo sú vodiče napájacieho kábla príliš tenké	Skontrolujte, či je predžvovací kábel najmenej 1,5 mm ² , maximálne 25 m dlhý. Pri použití dlhšieho kábla je minimálny prierez 2,5 mm ²

12. TECHNICKÉ ÚDAJE

Menovité napätie.....	230 – 240 V~/50 Hz
Menovitý príkon.....	2800 W
Trieda ochrany	II
Krytie	IP24
Otáčky voľnobehu.....	60 RPM
Maximálny priemer vetiev	44 mm
Kapacita záchytnej nádoby.....	60 l
Hladina akustického tlaku (LPA)*	73 dB(A)
Hladina akustického výkonu (LWA)*	94 dB(A)
Hmotnosť	19,4 kg

13. LIKVIDÁCIA

POKYNY A INFORMÁCIE O ZAOBCHÁDZANÍ S POUŽITÝM OBALOM

Použitý obalový materiál odložte na miesto určené obcou na ukladanie odpadu.



Stroj a jeho príslušenstvo sú vyrobené z rôznych materiálov, napr. z kovu a plastov. Poškodené súčiastky odovzdajte do triedeného zberu. Informujte sa na príslušnom úrade.



Tento výrobok spĺňa všetky základné požiadavky smerníc EÚ, ktoré sa naň vzťahujú.

Zmeny v texte, dizajne a technických špecifikáciách sa môžu meniť bez predchádzajúceho upozornenia a vyhradujeme si právo na ich zmenu.

Návod na použitie v originálnom jazyku.

14. VYHLÁSENIE O ZHODE

VYHLÁSENIE O ZHODE CE

Výrobca:

FAST ČR, a. s.
Černokostelecká 2111, 100 00 Praha 10, Česká republika
DIČ: CZ26726548

Produkt/značka: ELEKTRICKÝ DRVIČ / FIELDMANN

Typ/model: FZD 5015-E

230 – 240 V~, 50 Hz, 2 800 W

Tento produkt spĺňa požiadavky nižšie uvedených smerníc a predpisov:

Smernica Rady ES pre strojové zariadenia 2006/42/ES

Smernica ES pre elektromagnetickú kompatibilitu (EMC) č. 2014/30/EÚ

Smernica ES o obmedzení používania niektorých nebezpečných látok v elektrických a elektronických zariadeniach 2011/65/EÚ

a noriem:

EN 62233:2008

EN 55014-1:2006+A2+A1

EN 55014-2/A2:2008

EN 61000-3-2:2014

N 6100-3-11:2000

EN 50434:2014

EN 60335-1:2012+A11

Označenie CE: 16

Miesto vydania: Praha

Dátum vydania: 1. 8. 2016

Meno: Ing. Zdeněk Pech

Predseda predstavenstva

Podpis:

FAST FAST ČR, a.s. 
Černokostelecká 1021, 251 01 říčany
IČO: 26726548 tel.: +420/ 323 204 111
DIČ: CZ26726548 fax: +420/ 323 204 110



Kerti aprítógép

HASZNÁLATI ÚTMUTATÓ

Tisztelt ügyfelünk,

nagyon köszönjük az irántunk táplált bizalmát!

Az első üzembe helyezés előtt feltétlenül olvassa el ezt a használati útmutatót! Minden utasítást megtalál benne, amelyek elősegítik a készülék biztonságos használatát és hosszú élettartamát. Feltétlenül tartsa be a használati utasításban talált összes biztonsági utasítást!

TARTALOM

1. ÁLTALÁNOS BIZTONSÁGI ELŐÍRÁSOK.....	52
Fontos biztonsági figyelmeztetések.....	52
Csomagolás	52
Használati útmutató.....	52
2. JELEK	53
3. MIELŐTT HOZZÁKEZD... ..	54
Rendeltetésszerű használat.....	54
4. BIZTONSÁGA ÉRDEKÉBEN.....	54
Általános biztonsági előírások.....	54
Elektromos biztonság	55
Karbantartás.....	55
A készülékre vonatkozó specifikus figyelmeztetések.....	55
5. A GÉP LEÍRÁSA	57
A gép leírása (ld. 1. ábra).....	57
6. AZ APRÍTÓGÉP ÖSSZEÁLLÍTÁSA.....	58
7. AZ APRÍTÓGÉP KEZELÉSE.....	60
Az aprítógép bekapcsolása és kikapcsolása (5. ábra)	60
Előre- / hátramenet kapcsoló (5. ábra, 3. pont).....	60
Túlterhelés elleni védelem.....	61
Felfogódény.....	61
A vágóhenger fedele (1. ábra 11.pont).....	61
8. BEÁLLÍTÁSOK ÉS MUNKA AZ APRÍTÓGÉPPEL.....	62
Az ellenkés távolságának beállítása	62
Bekapcsolás előtt.....	62
Az aprítógéppel feldolgozható anyag	62
Az aprítógéppel nem szabad az alábbi anyag típusokat feldolgozni:.....	62
9. ÜZEMELTETÉS.....	63
10. KARBANTARTÁS	63
11. HIBAELHÁRÍTÁS	64
12. MŰSZAKI ADATOK	65
13. MEGSEMISÍTÉS	65
14. MEGFELELŐSÉGI NYILATKOZAT	66

1. ÁLTALÁNOS BIZTONSÁGI ELŐÍRÁSOK

Fontos biztonsági figyelmeztetések


- ✿ A terméket óvatosan csomagolja ki és ügyeljen arra, hogy a csomagolóanyag egyik részét se dobja ki korábban, mint hogy megtalálja a termék összes részét.
- ✿ A gépet tartsa száraz helyen és gyermekektől távol.
- ✿ Olvassa el az összes figyelmeztetést és utasítást. A figyelmeztetések és utasítások figyelmen kívül hagyásának áramütés, tűz és/vagy komoly sérülés lehet a következménye.

Csomagolás

A terméket a csomagolása védi a szállítás közbeni sérüléstől. Ez a csomagolás újrahasznosítható anyagból készült.

Használati útmutató

Mielőtt használni kezdi a gépet, olvassa el a következő biztonsági előírásokat és a használati utasításokat. Ismerkedjen meg a kezelőegységekkel és a készülék helyes használatával. Az útmutatót gondosan őrizze meg későbbi szükség esetére. Javasoljuk, hogy legalább a jótállás idejére őrizze meg a termék eredeti dobozát, csomagolását, pénzfárbizonylatát és jótállási jegyét. Szállítás esetén a készüléket csomagolja vissza az eredeti gyári dobozba, ezzel biztosítja a termék maximális védelmét szállítás közben (pl. költözés vagy szakaszervizbe küldés).

 **MEGJEGYZÉS:** Ha a gépet másik személynek adja át, az útmutatót is adja oda. A használati útmutató utasításainak betartása a gép helyes használatának alapja. A használati útmutató a kezelésre, karbantartásra és javításra vonatkozó utasításokat is tartalmaz.

A gyártó nem felel az útmutató utasításainak be nem tartásából adódó balesetekért vagy károkért.

2. JELEK



Üzembe helyezés előtt figyeljen oda a biztonsági utasításokra.



Üzembe helyezés előtt olvassa el a használati útmutatót, és kövesse az olvasottakat.



Megvághatja magát.



Ne nyúljon a fölcsérbe.



A kivágódó tárgyak veszélyt okozhatnak.



Tartson biztonságos távolságot a közelben tartózkodó személyektől.



Ha a tápkábel sérült vagy szakadt, azonnal húzza ki a csatlakozót a hálózathoz.



A készülék hangereje.



FIGYELEM: Ne használja az aprítógépet párás vagy esős időben, és óvja a nedvességtől.



Várja meg, míg az aprítógép minden alkatrésze megáll.

Személyi védelmi eszközök



A készülékkel végzett munkához használjon fülvédőt és védőszemüveget.



A készülékkel végzett munkához használjon stabil cipőt.



A készülékkel végzett munkához használjon védőkesztyűt.



A készülékkel végzett munkához szűk, testhez simuló munkaruhát használjon.

3. MIELŐTT HOZZÁKEZD...

Rendeltetésszerű használat

- ☼ megfelel a tudomány és technika üzembe helyezés idején ismert színvonalának és megfelel az érvényes biztonsági előírásoknak rendeltetésszerű használat esetén. A készülék rostos vagy fás szerves anyagok aprítására szolgál a háztartásban és a kertben. Nem szabad követ, üveget, fémet, csontot vagy műanyag vagy textil hulladékot beletölteni.
- ☼ nem alkalmas professzionális használatra. Minden egyéb használat ellentétes a megállapított rendeltetéssel. A készülék vagy alkatrész minden olyan használata, módosítása, ami ellentétes a rendeltetéssel, és amelyet a gyártó nem vizsgált meg és hagyott jóvá, előre nem látható károkat okozhat! A készülék minden nem rendeltetésszerű, ill. a jelen kézikönyvben le nem írt tevékenységre történő használata nem engedélyezett visszaélésnek számít, és kívül esik a gyártó jótállási kötelezettségén.

4. BIZTONSÁGA ÉRDEKÉBEN

Általános biztonsági előírások

- ☼ A készülék biztonságos használata érdekében a felhasználónak az első használatbavétel előtt el kell olvasnia és meg kell értenie ezt a használati útmutatót.
- ☼ Minden biztonsági utasítást tartson be! Ha figyelmen kívül hagyja a biztonsági utasításokat, veszélyezteti magát és másokat.
- ☼ Minden használati utasítást és az útmutatót tegyen el, hogy később is használhassa.
- ☼ Ha a készüléket eladja vagy továbbadja, feltétlenül adja oda a használati útmutatót is.
- ☼ A készüléket csak hibátlan állapotban szabad használni. Ha a készülék vagy valamelyik alkatrésze megsérül, szakembernek kell megjavítania.
- ☼ Ne használja a készüléket robbanásveszélyes környezetben, illetve gyúlékony folyadék és gáz közelében!
- ☼ Mindig gondoskodjon róla, hogy a kikapcsolt készülék nehogyan véletlenül bekapcsolódjon.
- ☼ Ne használja a készüléket, ha a be-/kikapcsoló nem működik megfelelően.
- ☼ Akadályozza meg gyermekek hozzáférését a készülékhez! Úgy tárolja a készüléket, hogy biztonságosan elzárja a gyermekek és illetéktelen személyek elől.
- ☼ Ne terhelje túl a készüléket. A készüléket csak olyan célra használja, amire szolgál.
- ☼ Mindig használja a szükséges személyi védőfelszerelést.
- ☼ Mindig figyelmesen és jó fizikai állapotban dolgozzon: Fáradtan, betegen, alkoholfogyasztás közben, gyógyszer vagy kábítószer hatása alatt dolgozni felelőtlen, mert nem tudja a készüléket biztonságosan használni.
- ☼ Ne használjon időkapcsolót vagy más olyan kapcsolót, ami automatikusan indítja el a készüléket, mert tűzveszélyes.
- ☼ Gondoskodjon róla, hogy a gyermekek ne játsszanak a termékkel.
- ☼ Tartson be minden érvényes nemzeti és nemzetközi biztonsági, egészségügyi és munkavédelmi előírást.

Elektromos biztonság

- ☼ A készüléket csak megfelelő védőérintkezővel szabad a konnektorba csatlakoztatni.
- ☼ A készülék biztosítását csak legfeljebb 30 mAh névleges zárlati áramú áramvédővel (FI kapcsoló) szabad végezni.
- ☼ A készülék csatlakoztatása előtt gondoskodni kell róla, hogy a hálózati csatlakozó megfeleljen a készülék csatlakoztatásához megadott értékeknek.
- ☼ A készüléket csak a megadott feszültség, teljesítmény és fordulatszám határain belül szabad használni (ld. típuscímké).
- ☼ Ne érjen a csatlakozódugóhoz nedves kézzel! A hálózati csatlakozót mindig a dugónál, és ne a kábelnél fogva húzza ki.
- ☼ A hálózati kábelt nem szabad meghajlítani, becsípni, húzni vagy rálépni, óvni kell az éles peremektől, olajtól és forróságtól.
- ☼ A készüléket ne húzza a kábelnél fogva, és a kábelt ne használja semmilyen más célra.
- ☼ Minden használat előtt ellenőrizze a csatlakozódugót és a kábelt.
- ☼ Ha a hálózati kábel megsérül, azonnal húzza ki a csatlakozót. Soha ne használja a készüléket sérült tápkábellel.
- ☼ Ha a készüléket nem használja, a csatlakozó mindig legyen kihúzva.
- ☼ A hálózati csatlakozó bedugása előtt gondoskodjon róla, hogy a készülék ki legyen kapcsolva.
- ☼ Mielőtt kihúzza a csatlakozót, a készüléket mindig kapcsolja ki.
- ☼ Szállítás előtt hozza a készüléket árammentes állapotba.

Karbantartás

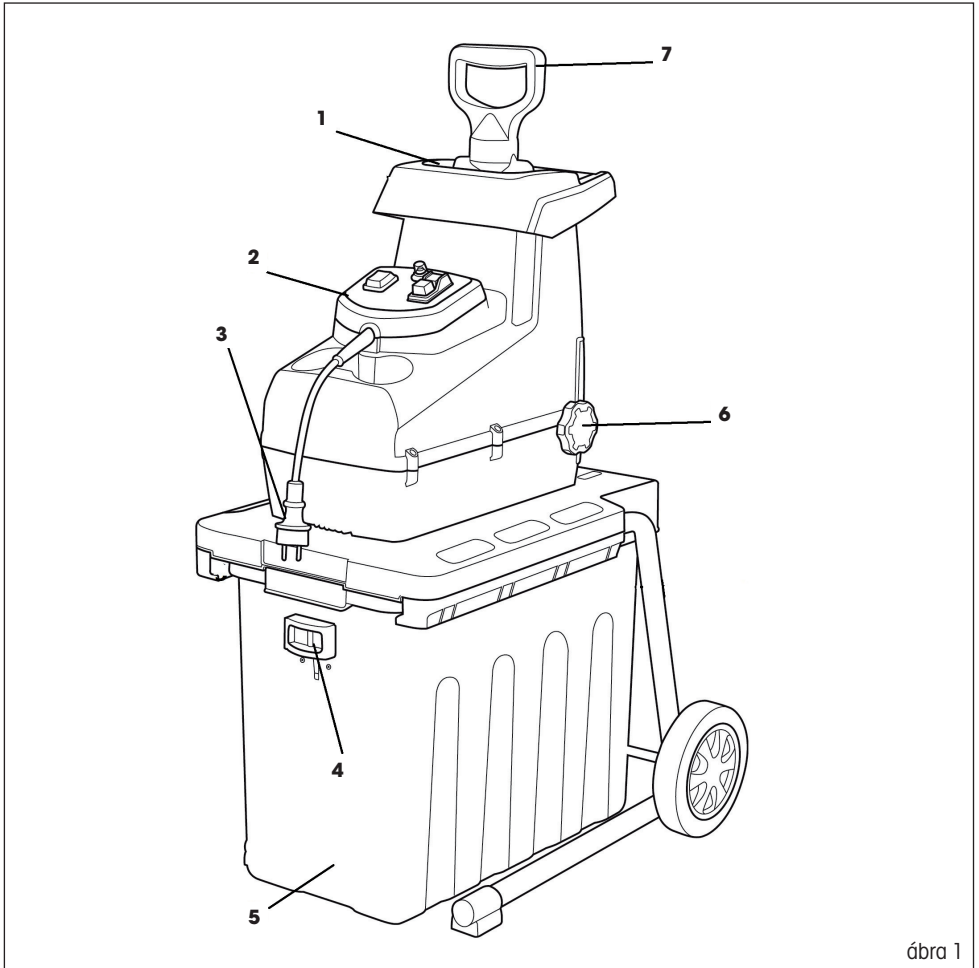
- ☼ Mielőtt bármiféle munkát végez a készüléken, húzza ki a csatlakozót a konnektorból.
- ☼ Csak a jelen útmutatóban leírt karbantartást és hibaelhárítást szabad végezni. Minden egyéb munkát csak szakember végezhet.
- ☼ Csak eredeti pótalkatrészeket használjon. Csak ezek a pótalkatrészek készültek a készülék számára és alkalmasak hozzá. Az egyéb pótalkatrészek nemcsak a jóállás elvesztésével járnak, hanem használatukkal veszélyeztetheti magát és környezetét.

A készülékre vonatkozó specifikus figyelmeztetések

- ☼ Működés közben ne nyúljon a töltőtöltésérbe vagy a kidobóaknába. A készülék a kikapcsolás után még mintegy 5 másodpercig fut.
- ☼ Bekapcsolás előtt a készüléket előírás szerint össze kell állítani.
- ☼ Bekapcsolás előtt ellenőrizze, hogy megfelelően be van-e húzva minden csavar, anya és egyéb rögzítőelem, és hogy megfelelően fel vannak-e szerelve biztonsági egységek.
- ☼ A géppel végzett munka közben figyeljen a stabil állásra és a természetes testtartásra.
- ☼ Csak jó megvilágítás és látási viszonyok mellett dolgozzon.
- ☼ A kezelő ruhája testre simuló legyen. Ne viseljen laza ruhát. Stabil cipőt és hosszú munkanadrágot viseljen.
- ☼ A gépet csak a szabadban, szilárd és egyenes felületen használja.
- ☼ Munka közben a készülék körül hagyjon elég szabad területet. A készüléket ne állítsa fal közelébe.
- ☼ A működésben levő készüléket ne húzza, ne döntse meg és ne mozdítsa el.
- ☼ A készülék elindítása előtt bizonyosodjon meg róla, hogy a bedobótöltésér üres.
- ☼ A bekapcsolt készüléket soha ne hagyja működésben felügyelet nélkül.
- ☼ Munka közben figyeljen rá, nehogy a készülékbe idegen tárgy (kő, üveg, fém, föld, műanyag, stb.) kerüljön. Ezek árthatnak a motornak vagy a vágóhengernek.

- ✿ Ha a vágóberendezésbe idegen tárgy került, szokatlan hangot ad ki vagy szokatlanul remeg, azonnal kapcsolja ki a motort, és várja meg, míg leáll.
- ✿ Soha ne használja a készüléket a bedobótölcsér nélkül.
- ✿ Ha az aprítógép eldugul, először kapcsolja ki a készüléket, húzza ki a csatlakozódugót a konnektorból, és a dugulás elhárítása előtt várja meg, míg a készülék teljesen nyugalmi helyzetbe kerül. Tartsa a bekapcsolót/kikapcsolót tisztán és idegen tárgyaktól mentesen.
- ✿ Soha ne próbálja meg a vágott anyagot tartani vagy kivenni, ha a vágóhenger mozog. A beakadt vágnivalót csak akkor távolítsa el, amikor a gép ki van kapcsolva.
- ✿ Kerülje el a forgó vágóhengerrel való közvetlen érintkezést. Ha a gép megy, a kezét és a lábát tartsa a nyílásokon kívül.
- ✿ Ne dugja a kezét vagy más testrészét vagy a ruháját a töltőkamrába, a kidobó csatornába vagy más mozgó alkatrészek közelébe.
- ✿ Az aprított anyagot távolítsa el a kidobó zónából, mielőtt felgyülemlik. Így megakadályozza, hogy az aprítógép elduguljon, vagy az aprított anyag visszakerüljön a töltőtölcsérbe, és ezzel sérülést okozzon.
- ✿ A munkaterület 3 méteres körzetében nem tartózkodhatnak más személyek vagy állatok, mert a kivágódó tárgyak sérülést okozhatnak.
- ✿ Ne használja a készüléket kövezett vagy betonfelületen. Az aprított anyag felpattanhat, és sérülést okozhat.
- ✿ A készülékén található jeleket nem szabad eltávolítani vagy letakarni. A készüléken lévő, már olvashatatlan figyelmeztetéseket sürgősen ki kell cserélni.

5. A GÉP LEÍRÁSA



ábra 1

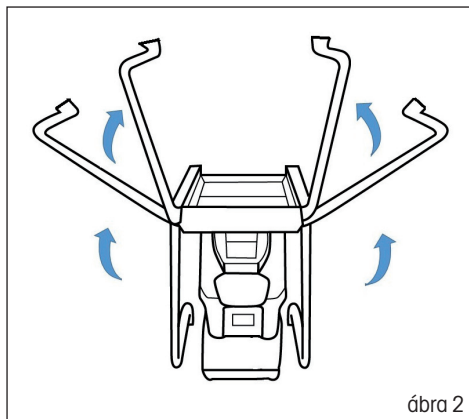
A gép leírása (ld. 1. ábra)

1. Töltőnyílás
2. Működtető panel
3. Tápkábel
4. A felfogóedény biztonsági retesze
5. Felfogóedény
6. Vágásbeállító csavar
7. Műanyag lenyomó

6. AZ APRÍTÓGÉP ÖSSZEÁLLÍTÁSA

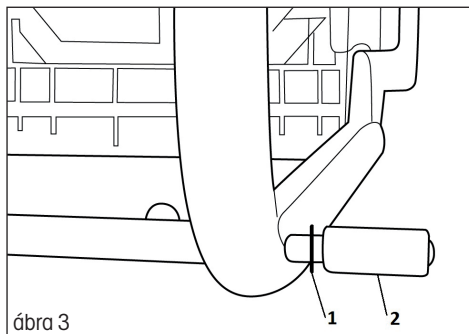
⚠ FIGYELEM: Mielőtt bármiféle munkát végez a gépen, bizonyosodjon meg róla, hogy ki van kapcsolva és ki van húzva a konnektorból.

1. Fordítsa fejre az aprítógép testét, és helyezze sima felületre. Ezután emelje fel a lábait. 2. ábra



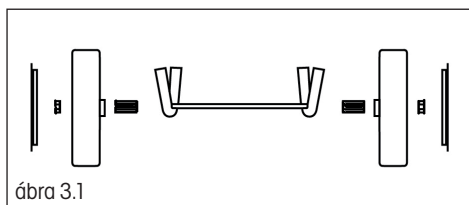
2. Szerelje fel a kerekeket a következő módon:

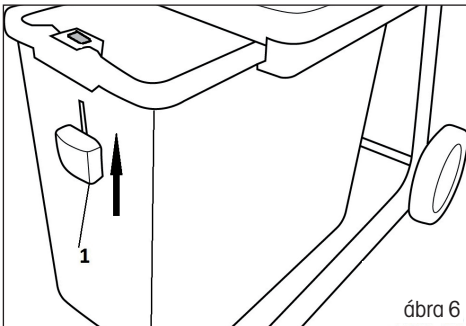
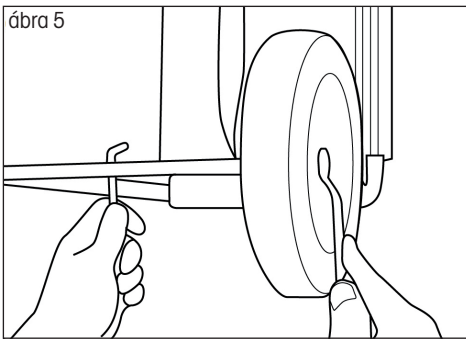
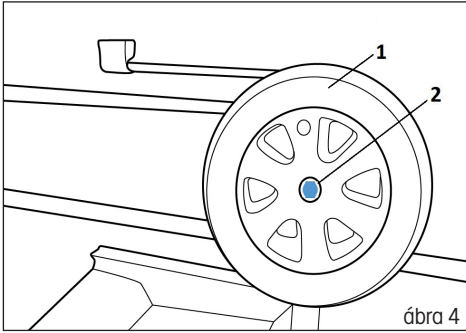
- dugja be a kerekek tengelyét a nyílásokon keresztül a keretbe
- a tengely minden oldalán helyezzen el egy alátétet és keréktokot. 3. ábra
- Tegye fel a kereket, és rögzítse egy anyával. 4. ábra
- A keréktengely nyílásán dugja át a hatszögletű kulcsot, és húzza meg a kerékanyát. 5. ábra
- Végül helyezze fel a kerék fedelét.
- Ugyanezt ismételje meg mind a két kerék esetében.



3. Tegye be a felfogóedényt, és rögzítse a biztonsági kapcsolóval. 6. ábra, 1. pont

⚠ FIGYELEM! A biztonsági kapcsolót megfelelően rögzíteni kell, különben a gép nem indul be.





7. AZ APRÍTÓGÉP HASZNÁLATA

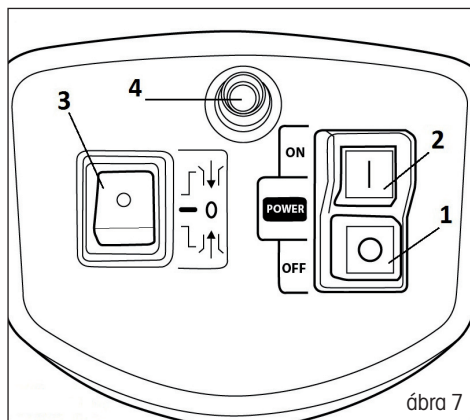
⚠ FIGYELMEZTETÉS: A gép tápellátáshoz való csatlakoztatása előtt mindig ellenőrizze, hogy a kapcsoló ki van-e kapcsolva. Ha a készüléket bekapcsolt kapcsolóval csatlakoztatja, az váratlanul beindulhat, és ennek következtében súlyos sérülést okozhat.

Az aprítógép bekapcsolása és kikapcsolása (7. ábra)

⚠ FIGYELEM: Ha a gép nem kapcsolható be vagy ki a kapcsolóval, a géppel ne dolgozzon. A hibás kapcsolót cseréltesse ki a szakszervizben.

- ☼ Az aprítógép bekapcsolásához nyomja meg az „I” jellel megjelölt gombot. 7. ábra, 2. pont
- ☼ Az aprítógép kikapcsolásához nyomja meg a „O” jellel megjelölt gombot. 7. ábra, 1. pont

⚠ FIGYELEM: Áramkimaradás esetén a gép automatikusan kikapcsol. Az ismételt bekapcsoláshoz nyomja meg az „I” jellel megjelölt gombot.



Előre- / hátramenet kapcsoló (7. ábra, 3. pont)

⚠ FIGYELEM: Kapcsolja ki az aprítógépet, mielőtt az előre- / hátramenet kapcsolót átkapcsolja.

Előre állás

- ☼ Az aprítógép normál menete. A vágóhenger előrefelé forog.

Hátra állás

- ☼ A vágóhenger fordított irányba forog, hogy kiengedje a felvágott anyagot.
- ☼ Hátramenetbe kapcsoláskor szaggatottan kell az „I” jellel megjelölt gombot nyomkodni, hogy a henger forogjon. A henger automatikusan megáll, ha elengedi a gombot.

📖 MEGJEGYZÉS: A nagyobb ágak felaprításához a foy, mata néhány alkalommal történő megisméllése lehet szükséges az aprítógép előre- és hátramenetével. **Mielőtt ismét módosítja a menetirányt, várja meg, míg az aprítógép teljesen megáll.**

Túlterhelés elleni védelem

- ☼ Az aprítógép el van látva túlterhelés elleni biztosítókkal (7. ábra 4. pont)
- ☼ Túlterhelés esetén a motor biztosítóka automatikusan megszakítja az áramkört.
- ☼ A működés visszaállításához az alábbi módon cselekedjen:
 1. Kapcsolja ki a képet, hogy áram nélkül maradjon.
 2. Távolítsa el azt az anyagot, ami blokkolta az aprítógépet
 3. Hagyja a motort legalább öt percig hűlni!
 4. Nyomja meg a biztonsági kapcsoló gombját (7. ábra 4. pont).
 5. Újra csatlakoztassa az áramellátást.
 6. Kapcsolja be az aprítógépet.

⚠ FIGYELEM: A balesetek elkerülése érdekében a beszorult tárgyak eltávolításához egy rudat vagy kampót használjon.

Felfogóedény

- ☼ A felfogóedény felerősítése vagy levétele előtt az aprítógépet mindig kapcsolja ki és húzza ki a hálózathálóból.
- ☼ A felfogóedény fogója (6. ábra 1. pont) biztonsági okokból egy biztosítókkal van felszerelve.
- ☼ A biztonságos működés érdekében munka közben kétóránként ellenőrizze a biztosítók működését.
- ☼ Soha ne próbálja a fogantyú biztosítékának a működését kikapcsolni.

A felfogóedény fogantyúja:

A fogantyú alsó állásban >>> a felfogóedény ki van oldva. A biztonsági kapcsoló aktiválva van, az aprítógépet nem lehet elindítani.

A fogantyú felső állásban >>> a felfogóedény rögzítve van, és az aprítógép munkára kész.

📖 MEGJEGYZÉS: A gép nem indul el, ha a felfogóedény ki van oldva. A gép automatikusan kikapcsol, ha a felfogóedény munka közben kilazul.

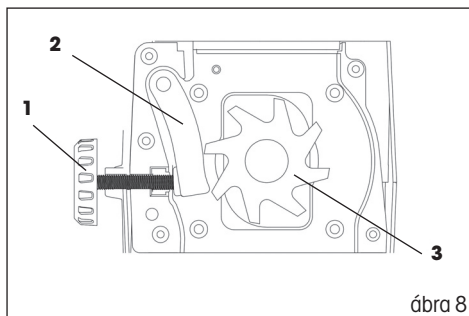
8. BEÁLLÍTÁSOK ÉS MUNKA AZ APRÍTÓGÉPPEL

Az ellenkés távolságának beállítása

- ☼ A hatékony működéshez be kell állítani az ellenkés (8. ábra 2. pont) és a vágóhenger (8. ábra 3. pont) közti távolságot. A vágóhenger és az ellenkés közti távolság minél kisebb legyen.
- ☼ A megfelelő beállítás lehetővé teszi a különböző átmérőjű aprítandó ágak hatékony aprítását.

A távolság beállítása:

- ☼ Kapcsolja be a gépet.
- ☼ Az ellenkést úgy tudja a vágóhenger felé nyomni, hogy a beállítócsavart lassan forgatja az óramutató járásával megegyező irányba (8. ábra 1. pont). Addig forgassa a csavart, míg a kidobónyílásból nem kezdenek finom alumíniumforgácsok hullani.



MEGJEGYZÉS: A puha vagy a nedves ágak vágás helyett szakadnak. Ugyanezt okozhatja a gyakori használatban elkopott ellenkés is.

Bekapcsolás előtt

Bizonyosodjon meg róla, hogy:

- ☼ A csatlakozókábel nem sérült. Ha vágást vagy repedést talál rajta, hagyja abba a munkát, és azonnal cserélje ki.
- ☼ A gép nincs meghibásodva, és minden csavar meg van húzva.
- ☼ A gép teljesen és megfelelően össze van állítva.

Ellenőrizze a tápellátást:

- ☼ Bizonyosodjon meg róla, hogy a tápellátás feszültsége megfelel a típuscímkén található névleges feszültségnek, és hogy a gép megfelelően földelve van.
- ☼ Csak megfelelő keresztmetszetű hosszabbító kábelt használjon.

Az aprítógéppel feldolgozható anyag

Az aprítógép az alábbi anyag típusokat tudja feldolgozni:

- ☼ Mindenfajta ágot a műszaki specifikációban szereplő legnagyobb átmérőig.
- ☼ Kerti hulladékot, például hervadt növényeket vagy nedves fűvet (ágakkal felváltva aprítsa.)

Az aprítógéppel nem szabad az alábbi anyag típusokat feldolgozni:

- ☼ Üveg, fém, műanyag, kő, kerámia, a műszaki specifikációban szereplőnél vastagabb ág, kemény fa, vastag falapok, szövet, műanyag szatyor, földes gyökerek.
- ☼ Folyékony állapothoz közeli, hulladék, pl. konyhai hulladék.

9. ÜZEMELTETÉS

- ☼ Az anyagot tegye a jobboldali töltőedénybe.
- ☼ Az ágakat felvágás után rögtön zúzza össze. Ha megszáradnak, nagyon megkeményedhetnek.
- ☼ Távolítsa el az ágról minden oldalról a hajtást, ha különben nem lehet bedugni az aprítógépet.
- ☼ Akadályozza meg, hogy a felfogóedényben túlzottan felgyűljenek a fadarabok. Az edényt alaposan tisztítsa ki, az összegyűlt felaprított anyag eltávolíthatja a kidobónyílást.
- ☼ Ne tegyen be nagyobb anyagot, mint a műszaki specifikációban megadott maximális átmérőjű ágak.
- ☼ A nedves kerți hulladék (lehullott levelek) dugulást okozhat. A dugulás megelőzése érdekében a hulladékot válogassa faanyaggal.
- ☼ A puha anyagok vagy nedves ágak aprítás helyett elszakadhatnak. Ilyen problémát okozhat az elhasználódott ellenkés is.
- ☼ A kidobónyílás tisztítása előtt kapcsolja ki a motort, és húzza ki a készülék a hálózatról.

10. KARBANTARTÁS

⚠ FIGYELEM:

- ☼ Mielőtt ellenőrzést vagy karbantartást végez a gépen, bizonyosodjon meg róla, hogy ki van kapcsolva és ki van húzva a kábel a csatlakozásból. Figyelem, a vágóhenger nem áll meg rögtön a készülék kikapcsolása után, várja meg, míg minden alkatrész megáll.
- ☼ Ellenőrzés vagy karbantartás előtt vegyen fel védőkesztyűt.
- ☼ A tisztításhoz soha ne használjon benzint, hígítót, alkoholt és hasonlókat. Színvesztés, deformáció vagy repedés történhet.
- ☼ A gép tisztításához csak nedves rongyot és puha keféket használjon.
- ☼ Ne használjon tömlőt, és a gépet ne mossa vízszaggal.

Minden tevékenység után végezze el az alábbi karbantartást:

- ☼ Ellenőrizze, hogy minden rögzítőcsavar be van-e húzva (ha nem, húzza meg őket).
- ☼ A fémalkatrészeket olajozza meg a rozsdásodás elkerülése érdekében.
- ☼ Tartsa tisztán és pormentesen a nyílásokat.
- ☼ A vágóhenger és az ellenkés idővel elhasználódik. Ha szükséges, a cseréről érdeklődjön a legközelebbi szakszervizben.

11. HIBAEELHÁRÍTÁS

⚠ FIGYELEM: Hibaelhárítás előtt a gépet kapcsolja ki, húzza ki a hálózathoz és várja meg, míg teljesen megáll.

Hiba	Lehetséges ok	Megoldás
A motor nem kapcsol be	Nincs tápellátás	Ellenőrizze a tápellátást.
	Hibás hálózati kábel	A megvizsgálásáról érdeklődjön szakszervízben
	A túlterhelés elleni biztosíték aktiválódott	Várja meg, míg a gép kihűl, és nyomja meg a biztosíték gombját.
	A felfogóedény biztonsági kapcsolója (A felfogóedény ki van oldva)	Ellenőrizze és rögzítse a felfogóedényt
A motort hallani, de nem működik	A vágóhenger eldugult	Kapcsolja ki a gépet.
		Kapcsolja át az előre- / hátramenet kapcsolót hátramenetbe.
		Kapcsolja be a motort, amíg a dugulás el nem múlik.
		A gépet újra kapcsolja ki.
	Kapcsolja vissza a forgásirányt előre.	
A kondenzátor meghibásodása	Javítás céljából a gépet küldje szakszervízbe.	
Az aprítógép nem húzza be a vágandó anyagot	A forgás hátramenetbe van kapcsolva.	Kapcsolja ki a gépet, és a kapcsolóval állítsa át a forgásirányt.
	Az aprított anyag elakad a tartályban	Kapcsolja ki a gépet. Kapcsolja át az előre- / hátramenet kapcsolót hátramenetbe. Kapcsolja be a készüléket, hogy az elakadt anyag kiszabaduljon, távolítsa el a szennyeződések.
		Kapcsolja ki újra a gépet.
		Kapcsolja vissza a forgásirányt előre.
	Az aprítandó anyag túl puha vagy nedves	Nyomja be az anyagot az aprítógépbe
Rosszul beállított ellenkés / vágóhenger	Állítsa be az ellenkést úgy, ahogy a "Beállítások és munka az aprítógéppel" fejezetben le van írva.	
	Amennyiben a vágóhenger/ellenkés túlzottan elhasználódott, cserélje ki.	
Az aprított anyag nincs egyenletesen szétarabolva	A rögzített ellenkés nincs megfelelően beállítva	Állítsa be az ellenkést, ld. az előző bekezdést
A gép be van kapcsolva, de a ygebónge terhelés is blokkolja, a motor biztonsági kapcsolója pedig gyorsan kikapcsol.	A hosszabbító kábel túl hosszú vagy a vezeték túl vékony. A csatlakozó túl messze van a tápforrástól vagy a vezetékek túl vékonyak	Ellenőrizze, hogy a hosszabbító kábel legalább 1,5 mm ² , maximum 25 m hosszú. További kábel használata esetén a minimális keresztmetszet 2,5 mm ²

12. MŰSZAKI ADATOK

Névleges feszültség	230–240 V~/50 Hz
Névleges teljesítmény	2800 W
Védelmi osztály	II
Védelem	IP24
Üresjárat fordulatszám	60 RPM
Az ág maximális átmérője	44 mm
A felfogóedény kapacitása	60 l
Akusztiikai nyomásszint (LPA)*	73 dB(A)
Akusztiikai teljesítményszint (LWA)*	94 dB(A)
Tömeg	19,4 kg

13. MEGSEMMISÍTÉS

A HASZNÁLT CSOMAGOLÓANYAGOKRA VONATKOZÓ UTASÍTÁSOK ÉS TÁJÉKOZTATÓ

A használt csomagolóanyagokat az önkormányzat által kijelölt hulladékgyűjtő helyen helyezze el.



A gép és tartozékai különböző anyagokból, pl. fémből és műanyagból készültek.
A sérült alkatrészeket adja le szelektív gyűjtőhelyen. Tájékozódjon az illetékes hivatalnál.



Ez a termék teljesíti minden rá vonatkozó EU-irányelv alapkövetelményeit.

Változtatások a szövegben, a kivitelben és a műszaki jellemzőkben előzetes figyelmeztetés nélkül történhetnek, a módosításra vonatkozó jog fenntartva.

Használati útmutató az eredeti nyelven.

14. MEGFELELŐSÉGI NYILATKOZAT

MEGFELELŐSÉGI NYILATKOZAT CE

Gyártó:

FAST ČR, a. s.
 Černokostelecká 2111, 100 00 Praha 10, Cseh Köztársaság
 Adóazonosító: CZ26726548

Termék/márka: ELEKTROMOS SZECSKÁZÓ / FIELDMAN

Típus/modell: FZD 5015-E

230–240 V~, 50 Hz, 2800 W

Ez a termék megfelel az alábbi előírásoknak és irányelveknek:

Az EK Tanácsának gépi berendezésekre vonatkozó 2006/42/EK számú irányelve
 Az elektromágneses kompatibilitásra (EMC) vonatkozó 2014/30/EU sz. EK-irányelv
 Az EK egyes veszélyes anyagok elektromos és elektronikus berendezésekben való alkalmazásának korlátozásáról szóló 2011/65/EU irányelve

valamint normáknak:

EN 62233:2008
 EN 55014-1:2006+A2+A1
 EN 55014-2/A2:2008
 EN 61000-3-2:2014
 N 6100-3-11:2000
 EN 50434:2014
 EN 60335-1:2012+A11

CE jelölés: 16

A kiadás helye: Prága

A kiadás dátuma: 1. 8. 2016

Név: Ing. Zdeněk Pech
 A képviselő elnöke

Aláírás:

FAST FAST ČR, a. s. ©
 Černokostelecká 1021, 251 01 říčany
 IČO: 26726548 tel.: +420/ 323 204 111
 DIČ: CZ26726548 fax: +420/ 323 204 110



Rozdrabniacz ogrodowy

INSTRUKCJA OBSŁUGI

Szanowna Klientko, szanowny Kliencie,

cieszymy się, że obdarzyli nas Państwo swoim zaufaniem!

Przed pierwszym uruchomieniem urządzenia prosimy koniecznie zapoznać się z niniejszą instrukcją obsługi! Zawiera ona wszystkie zalecenia zapewniające bezpieczne użytkowanie i długą żywotność urządzenia. Prosimy o bezwarunkowe przestrzeganie wszystkich zaleceń bezpieczeństwa podanych w niniejszej instrukcji!

SPIS TREŚCI

1. OGÓLNE ZASADY BEZPIECZEŃSTWA.....	68
Ważne ostrzeżenia dotyczące bezpieczeństwa	68
Opakowanie.....	68
Instrukcja obsługi.....	68
2. SYMBOLE.....	69
3. ZANIM ZACZNIESZ.....	70
Eksploatacja zgodna z przeznaczeniem.....	70
4. TWOJE BEZPIECZEŃSTWO.....	70
Ogólne wskazówki bezpieczeństwa	70
Bezpieczeństwo elektryczne.....	71
Konserwacja.....	71
Ostrzeżenia specyficzne dla tego urządzenia.....	71
5. OPIS MASZYNY	73
Opis maszyny (por. Rys. 1).....	73
6. MONTAŻ ROZDRABNIACZA.....	74
7. OBSŁUGA ROZDRABNIACZA.....	76
Włączanie i wyłączanie rozdrabniacza (Rys. 5).....	76
Przełącznik do przodu / wstecz (Rys. 5, punkt 3).....	76
Ochrona przed przecięciem.....	76
Pojemnik na ścinki.....	77
Pokrywa bębna tnącego (Rys. 1, punkt 11).....	77
8. USTAWIENIA I EKSPLOATACJA ROZDRABNIACZA	78
Ustawienia odległości przeciwległego noża.....	78
Przed włączeniem	78
Materiał, który można opracowywać w rozdrabniaczu	78
W rozdrabniaczu NIE WOLNO opracowywać następujących typów materiału:.....	78
9. OBSŁUGA.....	79
10. KONSERWACJA.....	79
11. ROZWIĄZYWANIE PROBLEMÓW.....	80
12. DANE TECHNICZNE	81
13. LIKWIDACJA.....	81
14. DEKLARACJA ZGODNOŚCI.....	82

1. OGÓLNE ZASADY BEZPIECZEŃSTWA

Ważne ostrzeżenia dotyczące bezpieczeństwa


- ✿ Starannie rozpakuj wyrób, zwracając uwagę, by nie wyrzucić żadnej części materiału pakowego, zanim nie znajdziesz wszystkich elementów produktu.
- ✿ Przechowuj wyrób w suchym miejscu z dala od dzieci.
- ✿ Przeczytaj wszystkie uwagi i wskazówki. Nieprzestrzeganie ostrzeżeń i wskazówek może spowodować porażenie prądem elektrycznym, pożar lub ciężkie obrażenia.

Opakowanie

Wyrób został umieszczony w opakowaniu chroniącym je przed uszkodzeniem podczas transportu. Opakowanie to jest surowcem i dlatego podlega recyklingowi.

Instrukcja obsługi

Przed rozpoczęciem pracy z urządzeniem przeczytaj następujące zasady bezpieczeństwa i wskazówki dotyczące użytkowania. Zapoznaj się z elementami sterowania i prawidłowym użyciem urządzenia. Instrukcję należy ze starannością zachować do wglądu. Przynajmniej w czasie okresu gwarancyjnego zaleca się zachować oryginalne opakowanie włącznie z wewnętrznym materiałem pakowym, paragon i kartę gwarancyjną. W razie transportu zapakuj maszynę z powrotem do oryginalnego pudełka dostarczonego przez producenta, zapewniając w ten sposób maksymalną ochronę produktu podczas ewentualnego transportu (np. przeprowadzki lub wysyłki do serwisu).

 **UWAGA:** Jeśli przekazujesz maszynę innym osobom, przekaz ją wraz z instrukcją. Przestrzeganie załączonej instrukcji obsługi stanowi przesłankę do prawidłowego użytkowania urządzenia. Instrukcja obsługi zawiera również wskazówki dotyczące obsługi, konserwacji i naprawy.

Producent nie ponosi odpowiedzialności za wypadki lub szkody powstałe na skutek nieprzestrzegania niniejszej instrukcji.

2. SYMBOLE



Przed uruchomieniem należy przestrzegać zasad bezpieczeństwa.



Przed uruchomieniem należy przeczytać instrukcję obsługi i przestrzegać jej.



Niebezpieczeństwo doznania ran ciętych.



Nie wkładać rąk do leja załadunkowego.



Niebezpieczeństwo spowodowane wyrzucanymi ciałami obcymi.



Przestrzegać bezpiecznej odległości od znajdujących się w pobliżu osób.



Jeśli kabel jest uszkodzony lub przerwany, natychmiast odłącz wtyczkę od sieci.



Głośność urządzenia.



UWAGA: Nie korzystaj z rozdrabniacza w środowisku wilgotnym lub podczas deszczu i chroń go przed wilgocią.



Poczekaj, aż dojdzie do zatrzymania wszystkich części rozdrabniacza.

Używaj środków ochrony osobistej podczas pracy



Podczas pracy z urządzeniem należy nosić ochronniki słuchu i okulary ochronne.



Podczas pracy z urządzeniem należy nosić mocne buty.



Podczas pracy z urządzeniem należy korzystać z rękawic ochronnych.



Podczas pracy z urządzeniem należy nosić przylegającą odzież roboczą.

3. ZANIM ZACZNIESZ...

Eksploatacja zgodna z przeznaczeniem

- ✿ jest ekwiwalentna do stanu wiedzy i techniki oraz norm bezpieczeństwa obowiązujących w czasie eksploatacji urządzenia zgodnie z jego przeznaczeniem. Urządzenie jest przeznaczone do rozdrabniania włóknistego lub drewnianego materiału organicznego z ogrodu domowego. Nie wolno go napełniać kamieniami, szkłem, metalem, kośćmi czy też odpadem z tworzyw sztucznych lub tekstyliów.
- ✿ nie jest przeznaczony do profesjonalnego użytku. Jakkolwiek inne użycie jest niezgodne z przeznaczeniem. Eksploatacja niezgodna z przeznaczeniem, dokonywanie zmian w urządzeniu lub korzystanie z części, które nie zostały przełutowane ani zatwierdzone przez producenta może doprowadzić do powstania nieprzewidywalnych szkód! Każda eksploatacja niezgodna z przeznaczeniem oraz wszelkie czynności z wykorzystaniem urządzenia, które nie zostały opisane w niniejszej instrukcji, stanowią przypadek nielegalnego wykorzystania urządzenia nie objęty gwarancją producenta.

4. TWOJE BEZPIECZEŃSTWO

Ogólne wskazówki bezpieczeństwa

- ✿ Aby zapewnić bezpieczną obsługę urządzenia użytkownik musi przeczytać i zrozumieć niniejszą instrukcję przed pierwszym użyciem urządzenia.
- ✿ Przestrzegaj wszystkich zaleceń bezpieczeństwa! Jeśli nie będziesz przestrzegać zaleceń bezpieczeństwa, stwarzasz zagrożenie dla siebie i innych.
- ✿ Instrukcję obsługi i wszystkie wskazówki bezpieczeństwa należy zachować do użytku w przyszłości.
- ✿ W przypadku sprzedaży lub przekazania urządzenia należy koniecznie dołączyć do niego niniejszą instrukcję obsługi.
- ✿ Należy korzystać wyłącznie ze sprawnego urządzenia. Jeśli urządzenie lub jego część są uszkodzone, należy oddać je do naprawy przez specjalistę.
- ✿ Nie korzystać z urządzenia w pomieszczeniach zagrożonych wybuchem lub w pobliżu cieczy lub gazów palnych!
- ✿ Wyłączone urządzenie należy zawsze zabezpieczyć przed niezamierzonym włączeniem.
- ✿ Nie używać urządzeń z uszkodzonym włącznikiem/wyłącznikiem.
- ✿ Nie dopuszczać dzieci do urządzenia! Przechowywać urządzenie tak, aby było chronione przed dziećmi i osobami nieupoważnionymi.
- ✿ Nie przeciążać urządzenia. Urządzenia używać wyłącznie zgodnie z przeznaczeniem.
- ✿ Zawsze używać wymaganych środków ochrony osobistej.
- ✿ Podczas pracy należy zawsze zachować ostrożność i być w dobrej kondycji fizycznej: Osoby zmęczone, chore, będące pod wpływem alkoholu, leków lub środków odurzających są nieodpowiedzialne i nie są w stanie bezpiecznie używać urządzenia.
- ✿ Nie należy korzystać z grzałki posiadającej włącznik czasowy lub inny włącznik uruchamiający urządzenie - niebezpieczeństwo wybuchu pożaru.
- ✿ Nie pozwól, aby dzieci korzystały z urządzenia dla zabawy.
- ✿ Należy zawsze przestrzegać obowiązujących przepisów krajowych i międzynarodowych, przepisów dotyczących zdrowia i pracy.

Bezpieczeństwo elektryczne

- ☼ Urządzenie wolno podłączać tylko do gniazda wtykowego z prawidłowo zainstalowanym stykiem ochronnym.
- ☼ Zabezpieczenie musi być zrealizowane za pomocą ochronnego wyłącznika różnicowego o obliczeniowym prądzie uszkodzeniowym nie większym niż 30 mA.
- ☼ Przed podłączeniem urządzenia należy upewnić się, że przyłącze sieciowe odpowiada danym przyłączeniowym urządzenia.
- ☼ Urządzenie wolno stosować tylko w podanym zakresie napięcia, mocy i nominalnej prędkości obrotowej (patrz tabliczka znamionowa).
- ☼ Nie dotykać wtyczki mokrymi dłońmi! Kabel sieciowy zawsze odłączać pociągając za wtyczkę a nie kabel.
- ☼ Nie wolno zaginać, zgniatać lub przejeżdżać przez kabel sieciowy; chronić przed ostrymi krawędziami, olejem i gorącem.
- ☼ Urządzenia nie wolno podnosić za kabel ani używać kabli w celach niezgodnych z przeznaczeniem.
- ☼ Przed każdym użyciem sprawdzać wtyczkę i przewód.
- ☼ W razie uszkodzenia kabla sieciowego natychmiast wyjąć wtyczkę z gniazda. Nigdy nie używać urządzenia z uszkodzonym kablem sieciowym.
- ☼ Jeśli urządzenie nie jest używane, wtyczka musi być zawsze wyciągnięta z gniazdka.
- ☼ Przed włożeniem wtyczki do kontaktu upewnić się, że urządzenie jest wyłączone.
- ☼ Przed wyciągnięciem wtyczki z kontaktu zawsze wyłączać urządzenie.
- ☼ Na czas transportu odłączyć urządzenie od prądu.

Konserwacja

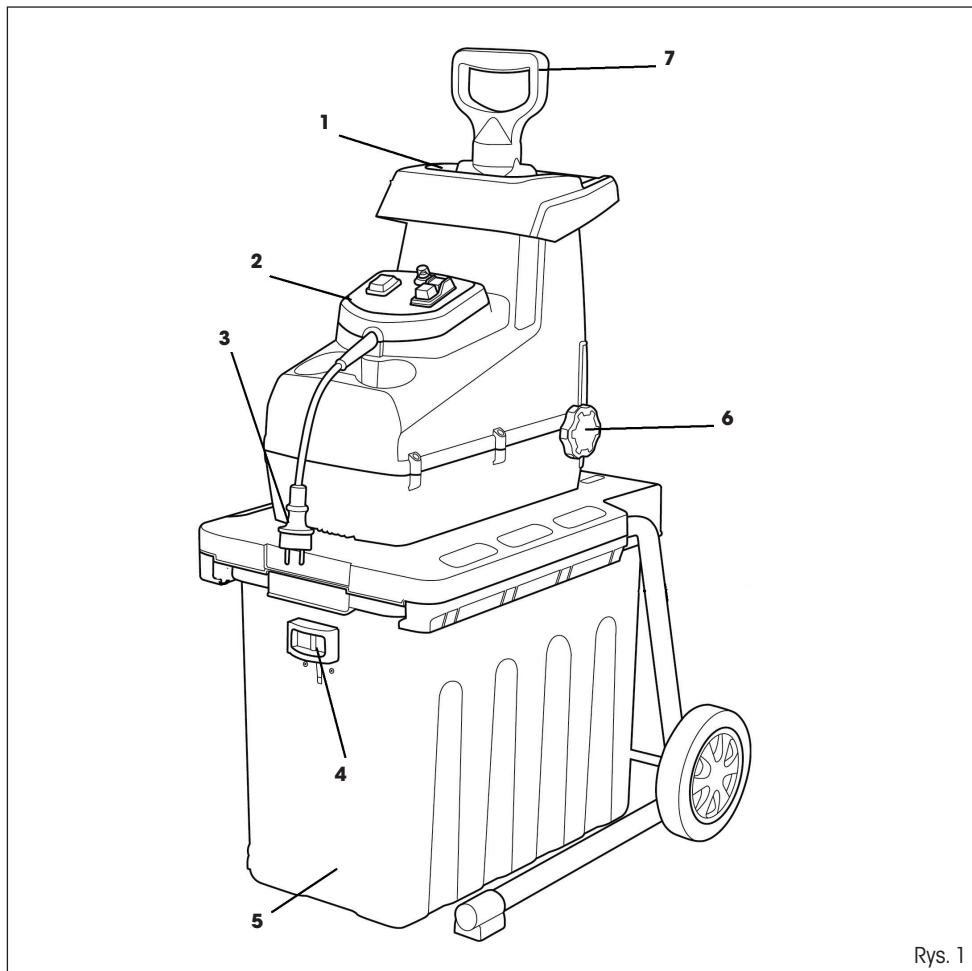
- ☼ Przed wykonywaniem jakichkolwiek prac przy urządzeniu należy zawsze wyciągnąć wtyczkę z gniazdka sieciowego.
- ☼ Samodzielnie wolno wykonywać tylko te prace konserwacyjne i naprawcze, które zostały opisane poniżej. Wszelkie inne prace muszą być wykonane przez specjalistę.
- ☼ Używaj wyłącznie oryginalnych części zamiennych. Tylko te części zamienne są specjalnie skonstruowane i odpowiednie dla tego urządzenia. Inne części zamienne prowadzą nie tylko do utraty gwarancji, ale również mogą stanowić zagrożenie dla użytkownika i środowiska.

Ostrzeżenia specyficzne dla tego urządzenia

- ☼ Podczas pracy nie wkładać rąk do leja załadawczego lub kanału wylotu. Po wyłączeniu urządzenia pracuje jeszcze przez ok. 5 sekund.
- ☼ Przed uruchomieniem należy dokonać montażu urządzenia zgodnie z instrukcją.
- ☼ Przed uruchomieniem sprawdzić, czy wszystkie śruby, nakrętki i inne elementy mocowania są dokręcone, a wszystkie zabezpieczenia odpowiednio założone.
- ☼ Podczas pracy przy użyciu urządzenia zawsze zwracać uwagę na pewne oparcie i naturalną postawę ciała.
- ☼ Pracować tylko przy dobrym oświetleniu i dobrej widoczności.
- ☼ Ubranie użytkownika musi ściśle przylegać do ciała. Unikać luźnego ubioru. Nosić mocne obuwie i długie spodnie.
- ☼ Urządzenie jest przeznaczone do eksploatacji na zewnątrz, na twardym, równym podłożu.
- ☼ Podczas pracy zachować odpowiedni odstęp wokół urządzenia. Nie ustawiać urządzenia zbyt blisko ścian.
- ☼ Podczas pracy urządzenia nie należy go podnosić, przechylać ani transportować.
- ☼ Przed uruchomieniem urządzenia sprawdzić, czy lej załadawczy jest pusty.
- ☼ Włączonyemu urządzeniu nie pozostawiać bez nadzoru.

- ✿ Podczas pracy zwrócić uwagę, by do urządzenia nie dostały się żadne przedmioty obce (jak kamienie, szkło, metal, ziemia, plastik itd.). Może dojść do stępienia noży i uszkodzenia silnika lub bębna tnącego.
- ✿ Jeżeli do mechanizmu tnącego dostaną się takie przedmioty lub w przypadku, gdy urządzenie wytwarza niepokojące dźwięki i wibracje, należy niezwłocznie wyłączyć silnik i odczekać, aż urządzenie się zatrzyma.
- ✿ Nigdy nie używać urządzenia bez leja załadawczego.
- ✿ Jeżeli rozdrabniacz jest zapchany, należy najpierw wyłączyć urządzenie, wyciągnąć wtyczkę sieciową z gniazda i odczekać, aż urządzenie przestanie pracować, i dopiero wtedy usunąć zator. Przycisk wł./wył. musi być zawsze czysty i wolny od jakichkolwiek ciał obcych.
- ✿ Nigdy nie próbować przytrzymywać lub usuwać rozdrabnianego materiału podczas pracy bębna tnącego. Zakleszczony materiał usuwać tylko wówczas, gdy urządzenie jest wyłączone.
- ✿ Unikać bezpośredniego kontaktu z obracającym się bębniem tnącym. Podczas pracy urządzenia nie wkładać rąk ani nóg do otworów urządzenia.
- ✿ Nie wkładać rąk, innych części ciała i ubioru do lejka załadawczego, kanału wylotu lub w pobliże ruchomych części.
- ✿ Rozdrobniony materiał usuwać regularnie z obszaru wylotu, by nie doprowadzić do tworzenia się stosu. W ten sposób uniknie się zapchania rozdrabniacza, a także zapobiegnie dostaniu się materiału rozdrobnionego z powrotem do lejka załadawczego, co może prowadzić do wypadków.
- ✿ W promieniu 3 m wokół obszaru pracy nie mogą przebywać inne osoby albo zwierzęta, gdyż mogłyby one zostać zranione przez wyrzucane przedmioty.
- ✿ Nie używaj urządzenia na utwardzonych lub betonowych powierzchniach. Rozdrobniony materiał może odbić się od podłoża i spowodować obrażenia.
- ✿ Symboli znajdujących się na urządzeniu nie wolno usuwać lub zakrywać. Nieczytelne wskazówki znajdujące się na urządzeniu należy natychmiast wymienić.

5. OPIS MASZYNY



Rys. 1

Opis maszyny (por. Rys. 1)

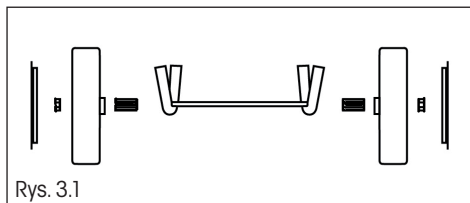
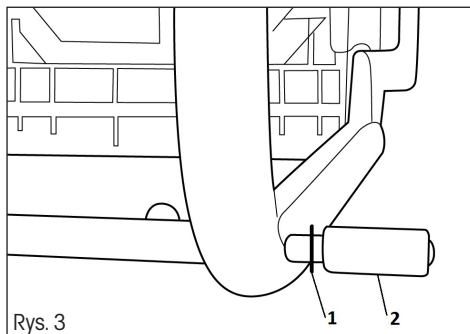
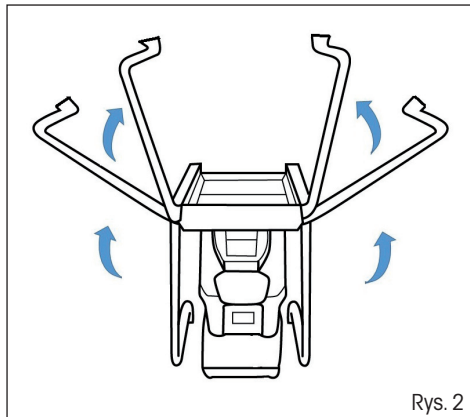
1. Otwór wyspowy
2. Panel sterowania
3. Przewód zasilający
4. Zabezpieczenie pojemnika na ścinki
5. Pojemnik na ścinki
6. Śruba ustawień cięcia
7. Plastikowy popychacz

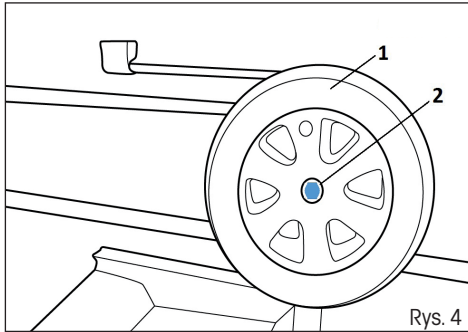
6. MONTAŻ ROZDRABNIACZA

⚠ OSTRZEŻENIE: Przed rozpoczęciem wykonywania jakichkolwiek prac przy użyciu maszyny upewnij się, że jest ona wyłączona i odłączona od zasilania.

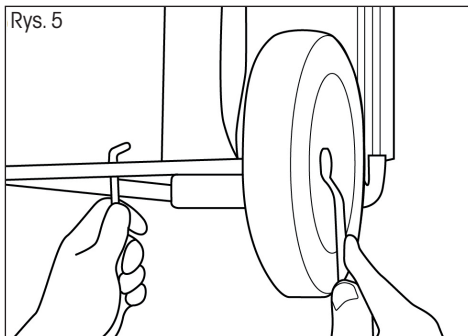
1. Obróć korpus rozdrabniacza do góry nogami i połóż go na równej podłodze.
Następnie podnieś nogi w górę. Rys. 2.
2. Zamontuj koła w następujący sposób:
 - włóż oś kół do otworów w ramie
 - na każdej stronie osi umieść podkładkę i osłonę koła Rys. 3.
 - załóż koło i umocuj nakrętką Rys. 4.
 - przez otwór w osi kół przełóż klucz sześcioboczny i dokręć nakrętkę koła Rys. 5.
 - na koniec załóż pokrywę koła
 - ten proces powtórz dla obu kół
3. Włóż kosz na ścinki i przymocuj uchwytem bezpieczeństwa. Rys. 6, punkt 1

⚠ UWAGA! Uchwyt bezpieczeństwa musi być dobrze zamocowany, w przeciwnym razie nie dojdzie do włączenia urządzenia.

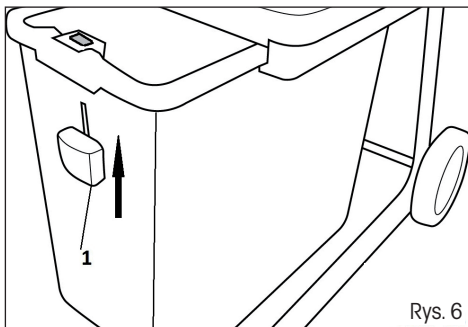




Rys. 4



Rys. 5



Rys. 6

7. OBSŁUGA ROZDRABNIACZA

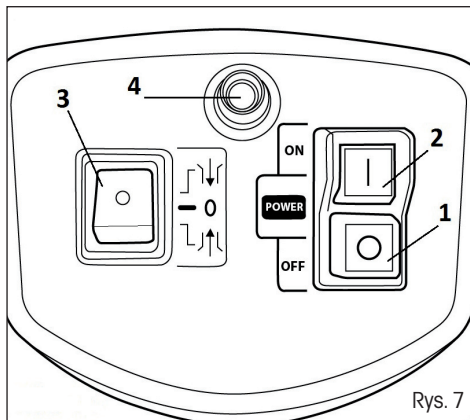
⚠ OSTRZEŻENIE: Przed podłączeniem maszyny do źródła zasilania upewnij się, że wyłącznik jest wyłączony. Podłączenie urządzenia z włączonym wyłącznikiem może spowodować nieplanowane włączenie urządzenia i doprowadzić do poważnych obrażeń.

Włączanie i wyłączanie rozdrabniacza (Rys. 7)

⚠ OSTRZEŻENIE: Jeżeli głównego włącznika nie można włączyć i wyłączyć, nie korzystaj z urządzenia. Wadliwe włączniki należy wymienić w autoryzowanym serwisie.

- ✿ Aby włączyć rozdrabniacz, wciśnij przycisk oznaczony symbolem „I”. Rys. 7, punkt 2
- ✿ Aby wyłączyć rozdrabniacz, wciśnij przycisk oznaczony symbolem „O”. Rys. 7, punkt 1

⚠ OSTRZEŻENIE: Urządzenie wyłączy się automatycznie w przypadku przerwy w dostawie prądu. Aby ponownie włączyć rozdrabniacz, wciśnij przycisk oznaczony symbolem „I”.



Przełącznik do przodu / wstecz (Rys. 7, punkt 3)

⚠ OSTRZEŻENIE: Wyłącz rozdrabniacz przed ustawieniem przełącznika na pozycję do przodu / wstecz.

Pozycja do przodu

- ✿ Standardowa praca rozdrabniacza. Bęben tnący obraca się w kierunku do przodu.

Pozycja wstecz

- ✿ Bęben tnący obraca się w przeciwnym kierunku, dzięki czemu dochodzi do zwolnienia zablokowanego materiału.
- ✿ Podczas zmiany kierunku pracy na bieg wsteczny należy raz po raz wciskać przycisk oznaczony symbolem „I”, aby wymusić obroty bębna. Do automatycznego zatrzymania bębna dojdzie po zwolnieniu przycisku.

📖 UWAGA: W celu rozdrobnienia dużych gałęzi będzie być może konieczne kilkukrotne powtórzenie procedury z pracą urządzenia do przodu i biegiem wstecznym. **Przed ponowną zmianą kierunku pracy należy poczekać do całkowitego zatrzymania rozdrabniacza.**

Ochrona przed przeciążeniem

- ✿ Rozdrabniacz jest wyposażony w zabezpieczenie przed przeciążeniem (Rys.) 7, punkt 4)
- ✿ W przypadku przeciążenia zabezpieczenie silnika automatycznie przerwie obwód elektryczny.
- ✿ Aby odnowić działanie urządzenia, wykonaj następujące kroki:

1. Odłącz maszynę od źródła napięcia.
2. Usuń materiał zablokowany w rozdrabniaczu.
3. Odczekaj co najmniej pięć minut, aż silnik ostygnie!
4. Wciśnij przycisk bezpiecznika (Rys. 7, punkt 4).
5. Podłącz ponownie urządzenie do zasilania prądem elektrycznym.
6. Włącz rozdrabniacz.

⚠ OSTRZEŻENIE: Aby zapobiec wypadkom do usunięcia zablokowanych przedmiotów używaj zawsze haka lub drążka.

Pojemnik na ścinki

- ✿ Przed przymocowaniem lub zdjęciem pojemnika na ścinki należy zawsze wyłączyć rozdrabniacz i odłączyć go z zasilania.
- ✿ Rękojeść pojemnika na ścinki (Rys. 6, punkt 1) jest ze względów bezpieczeństwa wyposażona w zabezpieczenie.
- ✿ Aby zapewnić bezpieczną pracę, sprawdź funkcjonalność zabezpieczenia po dwu godzinach pracy.
- ✿ Nigdy nie próbuj demontować zabezpieczenia na rękojeści.

Rękojeść pojemnika na ścinki:

Rękojeść w pozycji na dole >>> pojemnik na ścinki jest odbezpieczony. Zabezpieczenie jest włączone, nie można uruchomić rozdrabniacza.

Rękojeść w pozycji na górze >>> pojemnik na ścinki jest zabezpieczony i przygotowany do pracy.

📖 UWAGA: Maszyna się nie włączy, jeśli pojemnik na ścinki jest odbezpieczony. Maszyna wyłączy się automatycznie, jeśli podczas pracy dojdzie do poluzowania pojemnika na ścinki.

8. USTAWIENIA I EKSPLOATACJA ROZDRABNIACZA

Ustawienia odległości przeciwnego noża

- ✿ W celu zwiększenia efektywności pracy należy ustawić odległość pomiędzy nożem przeciwnym (Rys. 8, punkt 2) a bębniem tnącym (Rys. 8, punkt 3). Odstęp pomiędzy bębniem tnącym a nożem przeciwnym powinien być jak najmniejszy.
- ✿ Prawidłowe ustawienia umożliwiają efektywne rozdrabnianie gałęzi o wszystkich średnicach.

Ustawianie odstępów:

- ✿ Włącz maszynę.
- ✿ W celu przybliżenia noża przeciwnego do bębna tnącego przekręcaj powoli śrubę ustawień w kierunku zgodnym z ruchem wskazówek zegara (Rys. 8, punkt 1). Przekręcaj śrubę, dopóki z otworu wyrzutowego nie zaczną spadać drobne wiórki aluminiowe.

UWAGA: Miękki materiał lub mokre gałęzie mogą zostać rozerwane, nie zaś pocięte. Przyczyną tego problemu może być również zużycie noża przeciwnego.

Przed włączeniem

Upewnij się, że:

- ✿ Kable doprowadzające nie są uszkodzone. Jeśli kable posiadają nacięcia lub pęknięcia, przerwij pracę i natychmiast je wymień.
- ✿ Maszyna nie jest uszkodzona i wszystkie śruby są dokręcone.
- ✿ Maszyna jest kompletna i prawidłowo zmontowana.

Sprawdź zasilanie:

- ✿ Upewnij się, że napięcie zasilające odpowiada napięciu znamionowemu podanemu na tabliczce znamionowej oraz że maszyna jest prawidłowo uziemiona.
- ✿ Korzystaj wyłącznie z przedłużacz o dostatecznym przekroju przewodów.

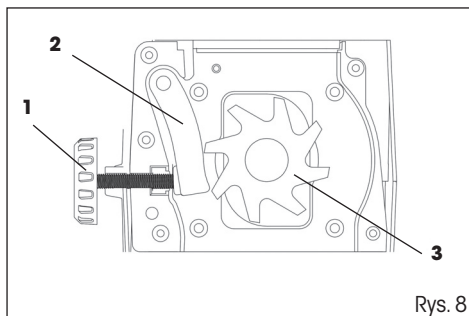
Materiał, który można opracowywać w rozdrabniaczu

W rozdrabniaczu można opracowywać następujące typy materiału:

- ✿ Wszystkie typy gałęzi do maksymalnej średnicy podanej w specyfikacji technicznej.
- ✿ Odpad ogrodowy taki jak zwiędnięte rośliny czy mokra trawa (jest rozdrabniany na przemian z gałęzmi).

W rozdrabniaczu NIE WOLNO opracowywać następujących typów materiału:

- ✿ Szkło, metal, plastik, kamienie, ceramika, gałęzie o większej grubości niż podano w specyfikacji technicznej, twarde drewno, grube drewniane płyty, tkaniny, plastikowe torebki, korzenie z glebą.
- ✿ Odpady, które mają niemal charakter cieczy, np. odpad kuchenny.



9. EKSPLOATACJA

- ✿ Wkładaj materiał do otworu wysypowego z prawej strony.
- ✿ Rozdrabniaj gałęzie natychmiast po ich pocięciu. Jeśli gałęzie wyschną, staną się bardzo twarde.
- ✿ Usuń wszystkie boczne odgałęzienia, o ile nie pozwalają one na wsunięcie gałęzi do rozdrabniacza.
- ✿ Zadbaj o to, by w pojemniku nie gromadziło się zbyt dużo ścinków. Regularnie opróżniaj pojemnik, zgromadzony rozdrobniony materiał może blokować otwór wyrzutowy.
- ✿ Nie wkładaj materiału, który ma większą średnicę gałęzi niż podano w specyfikacji technicznej.
- ✿ Rozdrabnianie mokrego odpadu ogrodowego (liście) doprowadzi do zapchania urządzenia. Aby zapobiec zapchaniu, rozdrabniaj ten materiał na przemian z materiałem zawierającym drewno.
- ✿ Miękkie materiały lub mokre gałęzie mogą zostać poszarpane a nie pocięte. Przyczyną tego problemu może być również zużyty nóż przeciwny.
- ✿ Przed rozpoczęciem czyszczenia otworu wyrzutowego wyłącz silnik i odłącz urządzenie od zasilania.

10. KONSERWACJA

⚠ OSTRZEŻENIE:

- ✿ Przed rozpoczęciem kontroli lub konserwacji maszyny upewnij się, że jest ona wyłączona i odłączona od zasilania. Uwaga, bęben tnący nie zatrzyma się natychmiast po wyłączeniu urządzenia. Poczekaj, aż wszystkie części się zatrzymają.
- ✿ Przed rozpoczęciem kontroli lub konserwacji załóż rękawice ochronne.
- ✿ Nigdy nie używaj do czyszczenia benzyny, rozpuszczalnika, alkoholu itp. Mogłoby dojść do zmiany koloru, deformacji lub powstania pęknięć.
- ✿ Do czyszczenia maszyny używaj wyłącznie wilgotnej ścierki i miękkiej szczotki.
- ✿ Nie używaj węża ani nie myj maszyny wodą pod ciśnieniem.

Po każdej operacji dokonaj następującej konserwacji:

- ✿ Sprawdź, czy wszystkie śruby mocujące są dokręcone (dokręć je, jeśli to konieczne).
- ✿ Nasmaruj części metalowe chroniąc je w ten sposób przed korozją.
- ✿ Utrzymuj otwory czyste i niezapylone.
- ✿ Bęben tnący i nóż przeciwny ulegają z biegiem czasu zużyciu. O ile to konieczne, zasięgnij rady w sprawie ich wymiany w najbliższym autoryzowanym serwisie.

11. ROZWIĄZYWANIE PROBLEMÓW

⚠ OSTRZEŻENIE: Przed przystąpieniem do rozwiązywania problemów wyłącz maszynę, odłącz ją od źródła zasilania i poczekaj, aż się całkowicie zatrzyma.

Problem	Możliwa przyczyna	Rozwiązanie
Silnik się nie włącza.	Brak podłączenia	Sprawdź zasilanie.
	Uszkodzony sieciowy przewód zasilający	W celu przeprowadzenia kontroli skontaktuj się z autoryzowanym serwisem.
	Został uruchomiony bezpiecznik zapobiegający przeciężeniu.	Poczekaj, aż maszyna ostygnie i wciśnij przycisk bezpiecznika.
	Zabezpieczenie pojemnika na ścinki (Pojemnik jest odbezpieczony.)	Sprawdź i zabezpiecz pojemnik na ścinki.
Silnik wydaje dźwięki, ale nie pracuje.	Bęben tnący jest zablokowany.	Wyłącz maszynę.
		Ustaw przełącznik do przodu/wstecz na bieg wsteczny.
		Włącz maszynę i poczekaj, aż dojdzie do odblokowania.
		Ponownie wyłącz maszynę.
	Zmień kierunek obrotów na do przodu.	
Awaria kondensatora	Aby naprawić maszynę, oddaj ją do serwisu.	
Rozdrabniany materiał nie jest wciągany do rozdrabniacza.	Kierunek obrotów jest ustawiony na bieg wsteczny.	Wyłącz maszynę i ustaw kierunek obrotów za pomocą przełącznika.
	Rozdrobniony materiał zablokowany w otworze wysypowym	Wyłącz maszynę. Ustaw przełącznik do przodu/wstecz na bieg wsteczny. Włącz urządzenie, aby doprowadzić do odblokowania rozdrabnianego materiału i usunąć zanieczyszczenia.
		Wyłącz ponownie maszynę.
		Zmień kierunek obrotów na do przodu.
	Rozdrabniany materiał jest zbyt miękki lub mokry.	Wepchnij materiał do rozdrabniacza.
Źle ustawiony nóż przeciwległy / bęben tnący	Ustaw nóż przeciwległy tak, jak opisano to w „Ustawieniach i obsłudze rozdrabniacza”. Jeśli bęben tnący/nóż przeciwległy jest mocno zużyty, wymień go.	
Rozdrabniany materiał nie jest czysto pocięty.	Nóż przeciwległy nie jest prawidłowo ustawiony.	Ustaw nóż przeciwległy - por. poprzedni rozdział.
Po włączeniu maszyny dochodzi do jej zablokowania nawet przy niewielkim obciążeniu i szybkim wyłączeniu przez zabezpieczający wyłącznik silnika.	Przedłużacz jest zbyt długi lub jego przewodniki są zbyt cienkie. Gniazdo jest zbyt daleko od źródła zasilania lub przewodniki kabla zasilającego są zbyt cienkie.	Sprawdź, czy przedłużacz ma przekrój co najmniej 1,5 mm ² i czy jego maksymalna długość wynosi 25 m. W razie użycia dłuższego kabla jego minimalny przekrój powinien wynosić 2,5 mm ²

12. DANE TECHNICZNE

Napięcie znamionowe	230–240 V~/50 Hz
Nominalny pobór mocy	2800 W
Klasa ochrony	II
Stopień zabezpieczenia.....	IP24
Obroty na biegu jałowym	60 RPM
Maksymalna średnica gałęzi	44 mm
Pojemność pojemnika na ścinki.....	60 l
Poziom ciśnienia akustycznego (LPA)*	73 dB(A)
Poziom mocy akustycznej (LWA)*	94 dB(A)
Ciężar	19,4 kg

13. LIKWIDACJA

WSKAZÓWKI I INFORMACJE DOTYCZĄCE GOSPODARKI ZUŻYTYM OPAKOWANIEM

Zużyty materiał z opakowania należy przekazać na gminne wysypisko odpadów.



Maszyna i jej wyposażenie są wyprodukowane z różnych materiałów, np. z metalu i plastiku. Uszkodzone części należy oddać do punktu selektywnej zbiórki. Szczegółowych informacji udziela odpowiedni urząd.



Ten produkt spełnia wszelkie podstawowe wymogi dyrektyw UE, które go dotyczą.

Zastrzegamy sobie możliwość dokonywania zmian tekstu, designu i danych technicznych wyrobu bez uprzedzenia.

Instrukcja użycia w języku oryginalnym.

14. DEKLARACJA ZGODNOŚCI

DEKLARACJA ZGODNOŚCI CE

Producent:

FAST ČR, a. s.
Černokostelecká 2111, 100 00 Praha 10, Republika Czeska
DIČ (NIP) : CZ26726548

Produkt/marka: ROZDRABNIACZ ELEKTRYCZNY / FIELDMANN

Typ/model: FZD 5015-E
230–240 V~, 50 Hz, 2800 W

Produkt spełnia wymagania poniższych dyrektyw i przepisów:

Dyrektywa Rady w sprawie maszyn 2006/42/WE
Dyrektywa WE odnosząca się do kompatybilności elektromagnetycznej (EMC) nr 2014/30/UE
Dyrektywa parlamentu europejskiego w sprawie ograniczenia stosowania niektórych niebezpiecznych substancji w sprzęcie elektrycznym i elektronicznym 2011/65/WE

i norm:

EN 62233:2008
EN 55014-1:2006+A2+A1
EN 55014-2/A2:2008
EN 61000-3-2:2014
N 6100-3-11:2000
EN 50434:2014
EN 60335-1:2012+A11

Oznaczenie CE: 16

Miejsce wydania: Praga

Data wydania: 1. 8. 2016

Imię i nazwisko: Ing. Zdeněk Pech
Prezes zarządu

Podpis:

FAST FAST ČR, a. s. ©
Černokostelecká 1021, 251 01 říčany
IČO: 26726548 tel.: +420/ 323 204 111
DIČ: CZ26726548 fax: +420/ 323 204 110



Vyplní prodejce. | Vyplní predajca. | To be filled in by the seller.
 | Wypełnia sprzedawca. | A kereskedő tölti ki.

Název: | Názov: | Name: | Nazwa: | Megnevezés:

Typ: | Type: | Típus:

Výrobní číslo: | Výrobné číslo: | Serial number: | Numer seryjny: | Gyártási szám:

V prípade opravy vyplní servis. | V prípade opravy vyplní servis. | To be filled in by a repair shop
 in case of repair. | W przypadku naprawy wypełnia serwis. | Javítás esetén a szerviz tölti ki.

Datum oznámení nároku na záruku: | Dátum oznámenia nároku na záruku: | Date of notification
 of the entitlement to warranty: | Data zgłoszenia roszczeń gwarancyjnych: | A jótállási igény
 bejelentésének időpontja:

Den: | Deň: | Měsíc: | Mesiac: | Rok: | 20
 Day: | Dňa: | Nap: | Month: | Mesiác: | Hô: | Year: | Év:

Datum převzetí do opravy: | Dátum prevzatia do opravy: | Data przyjęcia do naprawy: | Date of
 accepting for repair: | Javításra átvétel időpontja:

Den: | Deň: | Měsíc: | Mesiac: | Rok: | 20
 Day: | Dňa: | Nap: | Month: | Mesiác: | Hô: | Year: | Év:

Důvod poruchy: | Dôvod poruchy: | Cause of defect: | Przyczyna awarii: | Hiba oka:

A termék azonosításra alkalmas részének meghatározása [amennyiben alkalmazható]:

Číslo prodejního dokumentu: | Číslo predajného dokumentu: | Sales document no.: | Number
 dokumentu sprázdajú: | Vásárlást igazoló bizonylat száma:

Datum nákupu [uvedení do provozu]: | Dátum nákupu [uvedenie do prevádzky]: | Date of pur-
 chase [putting into operation]: | Data zakupu [przekazania do eksploatacji]: | A vásárlás [üzem-
 behelyezés] időpontja:

Den: | Deň: | Měsíc: | Mesiac: | Rok: | 20
 Day: | Dňa: | Nap: | Month: | Mesiác: | Hô: | Year: | Év:

Razítko prodejce: | Pečiatka predajcu: | Seller's stamp: | Pieczęć sprzedawcy: | Kereskedő
 bélyegzője:

Způsob opravy: | Spôsob opravy: | Mode of repair: | Sposób naprawy: | Javítás módja:

Datum vrátení výrobku zpět zákazníkovi: | Dátum vrátenia výrobku späť zákazníčkovi: | Date
 of returning the product back to the customer: | Data zwrotu wyrobu klientowi: | A termék
 fogyasztó részére való visszaadásának időpontja:

Den: | Deň: | Měsíc: | Mesiac: | Rok: | 20
 Day: | Dňa: | Nap: | Month: | Mesiác: | Hô: | Year: | Év:

Nová záruční lhůta – prodloužená o délku opravy: | Nová záručná lehota – predĺžená o dĺžku
 opravy: | New warranty period – extended by the duration of the repair: | Nowy termin gwa-
 rancyjny – przedłużony o czas naprawy: | A jótállás – kiegészítés időtartamával meghosszabbí-
 tott – új határideje:

Den: | Deň: | Měsíc: | Mesiac: | Rok: | 20
 Day: | Dňa: | Nap: | Month: | Mesiác: | Hô: | Year: | Év:

Razítko servisu: | Pečiatka servisu: | Stamp of the repair shop: | Pieczęć serwisu: | Szerviz
 pecsétje:

Autorizovaná servisní střediska | Autorizované servisné strediská | Authorized service centres

FAST ČR, a. s.
 Černokostecká 1621
 CZ 251 01 Říčany
 Česká republika
 Tel.: +420/ 323 204 120
 Fax: +420/ 323 204 121
 servis.praha@fastcr.cz
 www.fastcr.cz

FAST ČR, a. s.
 Cejl 31
 CZ 602 00 Brno
 Česká republika
 Tel.: +420/ 531 010 295
 Fax: +420/ 531 010 296
 servis.brno@fastcr.cz
 www.fastcr.cz

Fast Plus, spol. s r. o.
 Na Pántoch 18
 SK 831 06 Bratislava
 Slovenská republika
 Tel.: +421/2/49 105 854
 Fax: +421/2/49 105 859
 servis@fastplus.sk
 www.fastplus.sk

További információkért | Aby uzyskać więcej informacji | További információkért

Fast Hungary Kft.
 Dulácska u. 1/a.
 H-2045 Törökbalint
 Magyarország
 Tel.: +36/ 23 330 905
 Fax: +36/ 23 330 827
 info@fasthungary.hu
 www.fasthungary.hu

Arconet sp. z o.o.
 W celu znalezienia
 najbliższego serwisu
 prosimy zadzwonić:
 0801 44 33 22
 Lub odwiedzić stronę
 internetową:
 www.arconet.pl

**Uab „Senukai Prekybos
 Centras” Garantinis Servisas**
 Jonavos G. 62, LT-44192,
 Kaunas, Lithuania
 Tel.: +370 37 212 146
 Tex.: +370 37 212 165
 garrem@senukai.lt
 www.senukai.lt

Záruční podmínky

Prodávající poskytuje kupujícímu na výrobek záruku v trvání 24 měsíců od převzetí výrobku kupujícími. Záruka se vztahuje na dale uvedených podmínek. Záruka se poskytuje pouze na nové zboží prodané spotřebitelé za účelem použití uvedeném v příslušné návodu k obsluze. Práva z odpovědnosti za vady (reklamáce) může kupující uplatnit buď u dodávajícího, u kterého byl výrobek zakoupen nebo v níže uvedeném autorizovaném servisu. Kupující je povinen reklamaci uplatnit bez zbytečného odkladu, aby nedocházelo ke zhoršení vady, nejpozději však do konce záruční doby. Kupující je povinen poskytnout při reklamaci současně nutnou pro ověření existence reklamované vady. Do reklamaceního řízení se přijímá pouze kompletní a z důvodů dodržení hygienických předpisů čistý výrobek. V případě oprávněné reklamáce se záruční doba prodlužuje o dobu od okamžiku uplatnění reklamáce do okamžiku převzetí opraveného výrobku kupujícími nebo okamžiku, kdy je kupující po skončení oprav povinen výrobek převzít. Kupující je povinen prokázat svá práva reklamováním (doklad o zakoupení výrobku, záruční list, doklad o uvedení výrobku do provozu. ...)

Záruka se nevztahuje zejména na:

- vady, na které byla poskytnuta sleva
- opotřebení a poškození vzniklé běžným užíváním výrobku
- po-

škození výrobku v důsledku neoborné či neobrábné instalace, použití výrobku v rozporu s návodem k obsluze, platnými právními předpisy a obecně známými a obvyklými způsoby používání, v důsledku použití výrobku k jinému účelu, než ke kterému je určen

- poškození výrobku v důsledku zanebané nebo zneužitých údržby
- poškození výrobku způsobené jeho znečištěním, nehodou a zásahem vyšší moci (Zvělná událost, požár, vniknutí vody, ...)
- vady funkčnosti výrobku způsobené nevhodnou kvalitou signálu, rušivým elektromagnetickým polem apod. ...)
- mechanické poškození výrobku (například umytím knoflíků, pád, ...)
- poškození způsobené použitím nevhodných médií, náplní, spotřebních materiálů (baterie) nebo nevhodnými provozními podmínkami (např. vysoké okolní teploty, vysoká vlhkost prostředí, otřesy, ...)
- poškození, úpravu nebo jiný zásah do výrobku provedený neoprávněnou nebo neautorizovanou osobou (servisem)
- případy, kdy kupující při reklamaci neprokáže oprávněnost svých práv (kdy a kde reklamovaný výrobek zakoupil)
- případy, kdy se údaje v předložených dokladech liší od údajů uvedených na výrobku
- případy, kdy reklamovaný výrobek nelze ztotožnit s výrobkem uvedeným v dokladech, kterými kupující prokazuje svá práva reklamováním (např. poškození výrobku čísla nebo záruční plomba přístroje, prepisované údaje v dokladech, ...)

Záručné podmínky

Preдавající poskytuje kupujícímu na výrobek 24 mesiacov záruku od jeho prevzatia kupujúcimi. Záruka sa vztahuje ďalej za nižšie uvedených podmienok. Záruka sa poskytuje iba na spotrebný tovar predaný spotrebiteľovi na bežné domáce použitie. Práva zo zodpovednosti za chyby (reklamácie) môže kupujúci uplatniť buď u predávajúceho, u ktorého bol výrobek zakúpený alebo v nižšie uvedenom autorizovanom servise. Kupujúci je povinný reklamáciu uplatniť bez zbytočného odkladu, aby nedochádzalo ku zhoršeniu chyby, najneskôr však do konca záručnej doby. Kupujúci je povinný pri reklamáci spolupracovať po overení existencie reklamovanej chyby. Do reklamného procesu sa prijíma iba kompletná a z dôvodu dodržania hygienických predpisov neznečistený výrobek. V prípade oprávnenej reklamácie sa záručná doba predlžuje o dobu od okamžiku uplatnenia reklamácie do okamžiku prevzatia opraveného výrobku kupujúcimi, kedy je kupujúci po skončení oprav povinný výrobek prevziať. Kupujúci je povinný preukázať svoje práva reklamovateľ (doklad o zakúpení výrobku, záruční list, doklad o uvedení výrobku do prevádzky, ...)

Záruka sa nevztahuje na:

- chyby, na ktoré boli poskytnuté zľavy
- opotrebenie a poškodenia vzniknuté bežným užívaním výrobku
- poškodenie výrobku v dôsledku neoborného

či nesprávnej inštalácie, použitia výrobku v rozpore s návodom na použitie s platnými právnymi predpismi a všeobecne známymi a obvyklými spôsobmi používania, v dôsledku použitia výrobku za iným účelom, než na ktorý je určený- poškodenie výrobku v dôsledku zanebananej alebo nesprávnej údržby
- poškodenie výrobku spôsobené jeho znečistením, nehodou a zásahom vyššej moci (Zvělná událost, požár, vniknutie vody, ...)
- chyby funkčnosti výrobku spôsobené nevhodnou kvalitou signálu, rušivým elektromagnetickým polem a pod. ...)
- mechanické poškodenie výrobku (napr. zložením gombíka, pád, ...)
- poškodenie spôsobené použitím nevhodných médií, náplní, spotrebného materiálu (baterie) alebo nevhodnými prevádzkovými podmienkami (napr. vysoké teploty v okolí, vysoká vlhkosť prostredia, otrasy, ...)
- poškodenie, úpravu alebo iný zásah do výrobku spôsobený neoprávnene alebo neautorizovanou osobou (servisom)
- prípady, keď kupujúci pri reklamáci nepreukáže oprávnenosť svojich práv / kedy a kde reklamovaný výrobek zakúpil / kedy, keď sa údaje v predložení dokladov líšia od údajov uvedených na výrobku
- prípady, keď reklamovaný výrobek sa nestožuje s výrobkom uvedeným v dokladoch, ktorými kupujúci preukazuje svoje práva reklamovateľ (napr. poškodenie výrobného čísla alebo záruční plomby prístroja, prepisované údaje v dokladoch, ...)

Conditions of guarantee

This product is warranted for the period of 24 months from the date of purchase to the end-user. Warranty is limited to the following conditions. Warranty is referred only to the customer goods using for common domestic use. The claim for service can be applied either at dealer's shop where the product was bought, or at below mentioned authorized service shops. The end-user is obligated to set up a claim immediately when the defects appeared but only till the end of warranty period. The end-user is obligated to cooperate to certify the claiming defects. Only completed and clean (according to hygienic standards) product will be accepted. In case of eligible warranty claim the warranty period will be prolonged by the period from the date of claim application till the date of taking over the product by end-user, or the date the end-user is obligated to take it over. To obtain the service under this warranty, end-user is obligated to certify his claim with fully completed following documents: receipt, certificate of warranty, certificate of installation...

- This warranty is void especially if apply as follows: ■ Defects which were put on sale.
- Wear-out or damage caused by common use.

- The product was damaged by unprofessional or wrong installation, used in contrary to the applicable instruction manual, used in contrary to legal enactment and common process of use or used for another purpose which has been designed for.
- The product was damaged by un-damaged for or insufficient maintenance.
- The product was damaged by dirt, accident of force majeure (natural disaster, fire, flood, ...)
- Defects on functionality caused by low quality of signal, electromagnetic field interference etc.
- The product was mechanically damaged (e.g. broken button, fall, ...)
- Damage caused by use of unsuitable media, fillings, expendable supplies (batteries) or by unsuitable working conditions (e.g. high temperatures, high humidity, quakes, ...)
- Repair, modification or other failure action to the product by unauthorized person.
- End-user did not prove enough his right on claim (time and place of purchase).
- Data on presented documents differs from data on products.
- Cases when the claiming product can not be identified according to the presented documents (e.g. the serial number or the warranty seal has been damaged).

Jótállási feltételek

A FST Hungary Kft. a termékére a fogyasztó részére történő átadásától (vásárlástól), illetve ha az izembe helyezést a forgalmazó vagy annak megbízottja végzi, az izembe helyezettől számított 24 hónapig tartó időtartamra vállal jótállást. A jótállási igény a jótállási jeggyel, a vásárlástól (izembe helyezettől) számított 1 évig a termék értéktől formálisan, illetve a jótállási jeggyen feltüntetett hivatalos szerviznél követhető. A jótállás időtartama 24 hónapig kizárólag a hivatalos szerviznél érvényesíthető.

Jótállási jegy hiányában a fogyasztói szerződés megkötését bizonyítottak kell tekinteni, ha a fogyasztó bemutatja a termék ellenértékének megfizetését írtel érdemlően igazoló bizonylatot. Mindezek érdekében kérjük tisztázni Vásárlóinkat, hogy őrizzék meg a fizetési bizonylatot is. A jótállási időn belüli meghibásodás esetén a fogyasztó(i) (elsősorban - vásárlás óta) a hibás terméket díjmentesen kicserélheti, vagy a meghibásodás a rendeltetés szerinti felhasználás után a vásárlástól igény teljesítése kelthető, illetve, hogy ha a jótállási kötelezettség a másikkal teljesítésével összehasonlítva árnyaltabb többletköltséget eredményezne, (ii) ha

sem kijavítható, sem kicserélésre nincs jog, vagy ha a kötelezett a kijavítást, illetve kicserélést nem vállalata, vagy a kötelezettségnek megfelelő határidőn belül, a fogyasztóknak okozott jelentős kényelmetlen nélkül nem tud eleget tenni a jótállási -visszafizetés szerinti - megféle állásaitól igényelhet vagy előállhat a szerződéstől. Jelentélenkelé hiya miatt előállásnincs helye.

A 151/2003. (IX.22.) Kormányrendeletben meghatározott tartós fogyasztási cikk meghibásodása miatt a vásárlástól (izembe helyezettől) számított három munkanapon belül érvényesített csereigény esetén a forgalmazó nem hivatkohat árnyaltan többletköltségre, hanem a forgalmazó köteles a tartós fogyasztási cikket kicserélni, feltéve, hogy a meghibásodás a rendeltetés szerinti felhasználás utáni. Kijavítás esetén a fogyasztási cikket csak új alkatrészek kerülés beépítésre. A jótállási kötelezett törekszik arra, hogy a kijavítás vagy kicserélés 15 napon belül megtörténjen. A rögzített bételt, illetve a 100g-nál súlyosabb, vagy tömegközlekedési eszközök közelébe kerülés esetén a jótállási kötelezettség az izmeltetés helyéll kell megjavítani. Ha a javítás az izmelt-

etés helyéll nem végezhető, a le-és felszerelésről, valamint az –és visszazállításról a jótállási kötelezett gondoskodik. Nem számít bele a jótállási időbe a kijavítási időnek az a rész, amely alatt a fogyasztó a terméket nem tudja a rendeltetés szerinti használni. A jótállási idő a terméknek vagy jelentős részének kicserélésére (kijavításra) esetén a kicserélés (kijavítás) tömékként (termékként) a javítás költségeként megjelölhető a javításra kicserélés helyéll kell megjavítani. Ha a javítás az izmelt-

Nem érvényesíthető a jótállási igény, ha jótállási kötelezett bizonyítja, hogy a hiba oka a termék fogyasztó részére való átadását követően keletkezett, így például ha a hibát nem rendeltetés szerinti használat, használati utmutató figyelmen kívül hagyása, helytelen szállítás vagy tárolás, lejtés, rongálás, elemi kár, készelélen kiváltó ok (pl. hálfázis felismerés megengedetlenül nagy ingadozás) ■ illeketlen átalakítás, beavatkozás, nem a hivatalos szerviz által végzett javítás ■ fogyasztó feladatát képezték karbantartás munkáit elmulasztása okozta. A jótállási fogyasztó törvényből eredő jogait nem érinti.

Garantijos taisyklės

Šiam gaminiui suteikiama 24 mėnesių nuo įsigijimo datos garantija. Garantija apima žemiau pateiktomis sąlygomis. Garantija skiria tik gamintojas, skirtiems buitiniam naudojimui. Del gamintojas remonto perkejas gali kreiptis į pardavėjo parduotuvę, kurioje gaminis pirko, arba į nurodytą įgaliojatus techninės priežiūros centrus. Galutinis naudotojas įsipareigoja pateikti pretenziją nedelsiant po defekto atsiradimo, tačiau tik iki garantijos galiojimo periodo pabaigos. Galutinis naudotojas įsipareigoja bendradarbiauti patvirtintam gaminio defektus, del kurių pateikia pretenziją. Priimtas bus tik pilnai sukomplektuotas ir švarus (pagal higienos standartus) gaminys. Jei pretenzija del garantinio remonto bus pagrįsta, gamintojas galiojimo periodas bus prailginamas atitinkamai periodu nuo pretenzijos pateikimo datos iki galutinio naudotojas pasimams sutaisyta gaminį arba iki datos, kada galutinis naudotojas turėtų pasimams sutaisyti gaminį. Noredamas gauti garantinio remonto paslaugas, galutinis naudotojas turi patvirtinti pretenziją pilnai užpildytas skėnankias dokumentas: pirkinio kvitą, garantinio talno, instaliavimo sertifikatus...

- Garantija netaikiama: ■ Nukainotoms (brokuotoms) prekėms. ■ Įprastinai susidėvioms gaminiams

dalims ■ Gedimams, atsiradusiems neprofesionaliai ar neteisingai gaminiui instaliuojant, nesilaikant gamintoja nurodytoms instrukcijoms, naudotojas gamini ne pagal įstatymu nustatytus standartus ar įprastinai tokio tipo gamini naudojimo procesus, naudojant gamini kitai paskirčiai nei numatyta. ■ Gedimams, atsiradusiems del netinkamos ar nepakankamos gaminio priežiūros. ■ Gedimams, atsiradusiems del purvo, neaugalams jegos aplinkybių (stichinių nelaimių, gaisro, potvynio, ...). ■ Gedimams, atsiradusiems del prastos kokybės signalo, elektromagnetinio lauko trikdžių ir kt. ■ Radus mechaninį pažeidimą (pvz. sulaužyti mygtukai, kritimo požymiai, ...). ■ Gedimams, atsiradusiems naudojant gamini su netinkamomis laikmenomis, jungiant prie netinkamų tinklų, dėdant į gamini netinkamus magnetinio šaltinio (baterijas) ar del bet kokių kitų netinkamų naudojamų sąlygų (pvz. aukštus temperatūros, didelės drėgmės, žaimes drėbrėjimų, ...). ■ Nustadus, kad gamini sąrašys, modifikuoja ar aradys neįgalotai tai daryti asmenų. ■ Jei galutinis naudotojas neturi visų reikalingų dokumentų, įrodančių jo teisę į garantinį remonto (pvz. dokumentu, kur būtu nurodytas gaminio įsigijimo laikas ir vieta). ■ Jei data pateiktose dokumentuose skiriasi nuo datos ant gaminio.

Warunki gwarancji

Produkt objęty jest 24 - miesięczną gwarancją, począwszy od daty zakupu przez klienta. Gwarancja jest ograniczona tylko do przedstawionych dalej warunków. Gwarancja obejmuje tylko produkty zakupione w Polsce i jest ważna tylko na terytorium Rzeczypospolitej Polskiej. Gwarancja obejmuje tylko produkt funkcjonujący w warunkach gospodarstwa domowego (nie dotyczy produktów oznaczonych jako „Profesjonal”). Zgłoszenie gwarancyjne można składać w autoryzowanym sieci serwisowej lub w sklepie, gdzie produkt został nabyty. Użytkownik jest zobowiązany zgłosić usterkę niezwłocznie po jej wykryciu, a najpóźniej w ostatnim dniu obowiązywania okresu gwarancyjnego. Użytkownik jest zobowiązany do przedstawiania i udokumentowania usterki. Tylko kompletnie czyste produkty (zgodnie ze standardami higienicznymi) będą przyjmowane do naprawy. Usterki będą usuwane przez autoryzowany punkt serwisowy w możliwie krótkim terminie, nieprzekraczającym 14 dni roboczych. Okres gwarancji przedłuża się o czas pobytu sprzętu w serwisie. Klient może ubiegać się o wymianę sprzętu na wolny od wad, jeżeli punkt serwisowy stwierdzi na piśmie, że usunięcie wady jest niemożliwe. Aby produkt mógł być przyjęty przez serwis, użytkownik jest zobowiązany dostarczyć oryginalny dowód zakupu (gwarancji lub faktura), podbitej i wypełnionej karty (warunków), certyfikatu instalacji (niektóre produkty).

Gwarancja zostaje unieważniona, jeśli:

- usterka była widoczna w chwili zakupu, ■ usterka wynika ze zwykłego użytkowania i zużycia, ■ produkt został uszkodzony z powodu złej instalacji, niezastosowania się do instrukcji obsługi lub użytkownika niezgodnego z przeznaczeniem, ■ produkt został uszkodzony z powodu złej konserwacji lub jej braku, ■ produkt został uszkodzony z powodu zanieczyszczenia, wypadku lub okoliczności o charakterze siły wyższej (pożar, wódz, wojny, zamieszki itp.), ■ produkt wykożcał że działanie z powodu słabego sygnału, załamek elektromagnetycznych itp., ■ produkt został uszkodzony mechanicznie (np. wylamany przysiek, upadek, itp.), ■ produkt został uszkodzony z powodu użycia niewłaściwych materiałów eksploatacyjnych, nośników, akcesoriów, baterii, akumulatorów itp. lub z powodu użytkowania w złych warunkach (temperatura, wilgotność, wstrząsy itp.), ■ produkt był naprawiany lub modyfikowany przez nieautoryzowany personel, ■ użytkownik nie jest w stanie udowodnić zakupu (nieczytelny paragon lub faktura), ■ dane na przedstawianych dokumentach są inne niż na urządzeniu, ■ produkt nie może być zidentyfikowany ze względu na uszkodzenie numeru seryjnego lub wzmodyfikowany gwarancję.

Vom Verkäufer auszufüllen. | Para ser llenado el vendedor. | À remplir par le vendeur.
 | Popuni prodavatelj. | Da compilare dal venditore. | Door de verkoper in te vullen.

Name: | Denominación: | Dénomination: | Naziv: | Nome: | Naam:

Typ: | Modelo: | Type: | Tip: | Tipo:

Produktionsnummer: | No. de serie: | Numéro de référence: | Numer seryjny: | Numero di
 fabbricazione broj szám: | Seriennummer:

Im Falle einer Reparatur vom Service auszufüllen. | Para ser llenado por el servicio, en caso de
 reparación. | À remplir par le service de réparation en cas de réparation. | U slučaju popravke
 popuni servis. | Nel caso di un riparo va compilato dal Centro di Assistenza. | Door servicecentrum
 in te vullen bij reparatie.

Datum der Bekanntmachung des Anspruchs auf Garantie: | Fecha de notificación de derecho
 a garantía: | Date de notification de l'application de la garantie: | Datum obavijesti jamstvenog
 zahtjeva: | Data della notifica del diritto alla garanzia: | Datum waarop beroep op garantie is
 gedaan:

Tag: | Día: | Jour: | Monat: | Mes: | Mois: | Jahr: | Año: | Année: | 20
 Dan: | Giorno: | Dag: | Mjeseč: | Mese: | Maand: | Godina: | Anno: | Jaar: |

Datum der Übernahme zur Reparatur: | Fecha de aceptación para reparación: | Date de la
 remise au service de réparation: | Datum prijema za popravak: | Data della presa in carico
 per riparazione: | Datum waarop reparatie is aangenomen:

Tag: | Día: | Jour: | Monat: | Mes: | Mois: | Jahr: | Año: | Année: | 20
 Dan: | Giorno: | Dag: | Mjeseč: | Mese: | Maand: | Godina: | Anno: | Jaar: |

Grund der Störung: | Motivo de la avería: | Cause du défaut: | Przyczyna awarii: | Motivo del
 gusto: | Reden van defect

A termék azonosításra alkalmas részeinek meghatározása [amennyiben alkalmazható]:

Nummer des Verkaufsbeleges: | No. de documento de venta: | Numéro de document de vente:
 Broj kupoprodajnog dokumenta: | N. documento di vendita: | Nummer van aankoopbewijs:

Datum des Einkaufs [Inbetriebnahme]: | Fecha de compra [puesta en servicio]: | Date d'achat
 [mise en service]: | Datum kupnje [puštanja u pogon]: | Data di acquisto [messa in funzione]:
 Aankoopdatum [ingebruikname]:

Tag: | Día: | Jour: | Monat: | Mes: | Mois: | Jahr: | Año: | Année: | 20
 Dan: | Giorno: | Dag: | Mjeseč: | Mese: | Maand: | Godina: | Anno: | Jaar: |

Stempel des Verkäufers: | Sello del vendedor: | Tampon du vendeur: | Pečat prodavatelja: |
 Timbro del venditore: | Stempel van verkoper:

Art der Reparatur: | Forma de reparación: | Type de réparation: | Način popravke: | Tipología
 di riparazione: | Wijze van repareren:

Datum der Rückgabe des Produktes dem Kunden: | Fecha de devolución del producto al
 cliente: | Date de la remise du produit au client: | Datum povratka proizvođača natrag kupcu:
 | Data del ritiro del prodotto da parte del cliente: | Datum waarop klant product weer in
 ontvangst heeft genomen:

Tag: | Día: | Jour: | Monat: | Mes: | Mois: | Jahr: | Año: | Année: | 20
 Dan: | Giorno: | Dag: | Mjeseč: | Mese: | Maand: | Godina: | Anno: | Jaar: |

Neue Garantiefrist - verlängert um die Dauer der Reparatur: | Nuevo plazo de garantía -
 prorrogado por el tiempo de reparación: | Nouveau délai de garantie - prolongé de la durée
 de la réparation: | Novi jamstveni rok - produžen o trajanje popravke: | Nuovo termine di
 garanzia, rinnovato a seguito di riparazione: | Dnieuw garantietermijn - verlenging met de
 duur van reparatie

Tag: | Día: | Jour: | Monat: | Mes: | Mois: | Jahr: | Año: | Année: | 20
 Dan: | Giorno: | Dag: | Mjeseč: | Mese: | Maand: | Godina: | Anno: | Jaar: |

Stempel der Servicestelle: | Sello del servicio | Tampon du service de réparation: | Pečat
 servisa: | Timbro del Centro di Assistenza Tecnica: | Stempel van servicecentrum:

Autorisierete Servicestellen | Centros de servicio autorizados | Centres autorisés de réparation

FAST ČR, a. s.
 Černokostelecká 1621
 CZ 251 01 Říčany
 Česká republika
 Tel.: +420/ 323 204 120
 Fax: +420/ 323 204 121
 servis.praha@fastcr.cz
 www.fastcr.cz

FAST ČR, a. s.
 Cejl 31
 CZ 602 00 Brno
 Česká republika
 Tel.: +420/ 531 010 295
 Fax: +420/ 531 010 296
 servis.brno@fastcr.cz
 www.fastcr.cz

Fast Plus, spol. s r. o.
 Na Pántoch 18
 SK 831 06 Bratislava
 Slovenská republika
 Tel.: +421/2/49 105 854
 Fax: +421/2/49 105 859
 servis@fastplus.sk
 www.fastplus.sk

Autorizirana servisna centra | Centri di Assistenza autorizzati | Geautoriseerde servicecentra

Fast Hungary Kft.
 Dulácska u. 1/a.
 H-2045 Törökbalint
 Magyarország
 Tel.: +36/ 23 330 905
 Fax: +36/ 23 330 827
 info@fasthungary.hu
 www.fasthungary.hu

Arconet sp. z o.o.
 W celu znalezienia
 najbliższego serwisu
 prosimy zadzwonić:
 0801 44 33 22
 Lub odwiedzić stronę
 internetową:
 www.arconet.pl

**Uab „Senuku Prekybos
 Centras” Garantinis Servisas**
 Jonavos G. 62, LT-44192,
 Kaunas, Lithuania
 Tel.: +370 37 212 146
 Tex.: +370 37 212 165
 garrem@senukai.lt
 www.senukai.lt

Garantiebedingungen

Der Verkäufer gewährt dem Kunden eine Garantie auf das Produkt in der Länge von 24 Monaten nach der Übernahme des Produktes durch den Käufer. Die Garantie wird zu den unten genannten Bedingungen gewährt. Die Garantie bezieht sich auf die Artikel, die dem Verbraucher zur in der entsprechenden Betriebsanleitung genannten Nutzung verkauft worden sind. Die Rechte aus der Mängelhaftung (Bestandung) kann der Käufer direkt beim Verkäufer geltend machen, bei dem das Produkt gekauft wurde, oder in der unten genannten autorisierten Servicestelle. Der Käufer ist verpflichtet, die Bestandung ohne unnötigen Verzöger geltend zu machen, so dass sich der Mangel nicht verschlechtert, spätestens bis Ende der Garantiefrist. Der Käufer ist verpflichtet, bei der Bestandung Hilfe beim Prüfen des Bestehens des bestandenen Mangels zu leisten. Zur Bestandung können nur komplette und aus hygienischen Gründen auch saubere Produkte angenommen werden. Wenn die Bestandung gerechtfertigt ist, verlängert sich die Garantiezeit um die Zeit von der Geltendmachung der Bestandung bis zum Moment der Übernahme des reparierten Produktes durch den Käufer oder bis zum Moment, wenn der Käufer nach Beendigung der Reparatur verpflichtet ist, das Produkt zu übernehmen. Der Käufer ist verpflichtet, sein Recht zur Bestandung nachzuweisen (Kaufbeleg, Garantieschein, Beweis über die Inbetriebnahme des Produktes...).

Die Garantie bezieht sich vor allem nicht auf:

■ Mängel, auf die Rabatt gewährt worden ist ■ Verschleiß und Beschädigung durch die übliche Benutzung des

Produktes ■ Beschädigung des Produktes infolge unsachgemäßer oder falscher Installation, Benutzung des Produktes im Widerspruch zur Betriebsanleitung, zu den gültigen Rechtsvorschriften und den allgemein bekannten und üblichen Nutzungsmethoden, infolge der Nutzung des Produktes zu einem anderen Zweck, als für welchen das Produkt bestimmt ist ■ Beschädigung des Produktes infolge verlässlicherer oder falscher Wartung ■ Beschädigung des Produktes durch Verschmutzung, Unfall oder durch höhere Gewalt (Naturkatastrophe, Brand, Eindringen von Wasser...) ■ Funktionsfehler des Produktes durch ungeeignete Qualität des Signals, ein störendes elektromagnetisches Feld usw. ■ mechanische Beschädigung des Produktes (z. B. Bruch des Knopfes, Sturz...) ■ Beschädigung durch ungeeignete Medien, Füllungen, Verbrauchsmaterial (Batterie) oder ungeeignete Betriebsbedingungen (z. B. hohe Umgebungstemperatur, hohe Feuchtigkeit des Umfelds, Erschütterungen...) ■ Beschädigung, Anpassung oder einander Eingriff in das Produkt durch die nicht berechtigten oder nicht autorisierte Person (Servicio) ■ Fälle, wenn der Käufer bei der Bestandung die Berechtigung seiner Rechte nicht nachweist (wann und wo das bestandene Produkt gekauft wurde) ■ Fälle, wenn sich die Angaben in den vorgelegten Belegen von den am Produkt angeführten Angaben unterscheiden ■ Fälle, wenn das bestandene Produkt mit dem in den Belegen, mit denen der Käufer sein Recht auf Bestandung nachweist, angeführten Produkt nicht identifiziert werden kann (z. B. Beschädigung der Produktionsnummer oder Garantieplombe des Gerätes, überschriebene Angaben in den Belegen...)

Condiciones de garantía

El vendedor proporcionará una garantía de 24 meses al comprador a partir de la recepción del producto por parte de éste. La garantía se otorga bajo las siguientes condiciones. La garantía se aplica solamente a los productos nuevos que se venden a los consumidores para el uso indicado en las instrucciones de manejo correspondientes. Los derechos de responsabilidad de defectos (reclamación) el comprador los puede aplicar, ya sea en el vendedor donde compró el producto o en el centro de servicio autorizado abajo indicado.

El comprador está obligado a evitar una reclamación sin demora justificada para hacer el deterioro del defecto, pero a más tardar a finales del periodo de garantía. El comprador está obligado a establecer las sinergias necesarias ante una reclamación para verificar la existencia del defecto reclamado. En el procedimiento de reclamación sólo se acepta el producto íntegro y limpio por razones de cumplimiento de normas de higiene. En caso de reclamaciones justificadas, el periodo de garantía se extiende por el periodo comprendido entre el momento de hecha la reclamación y el momento en que el comprador recibe el producto reparado, o a partir del momento en que el comprador está obligado a recoger el producto después de reparado. El comprador está obligado a probar su derecho a reclamar (documento de compra, hoja de garantía, componente de puesta en servicio del producto...).

La garantía no se aplica a:

■ defectos que fueron objeto de rebaja ■ desgaste y daños causados por el uso normal del producto ■ daños en el producto debido a una instalación inadecuada o incor-

recta, el uso del producto en contradicción con las instrucciones de manejo, las normas jurídicas vigentes y los patrones de uso conocidos y convencionales. Daños en el producto, debido a un uso diferente de aquel para el que fue concebido ■ daños en el producto por negligencia o mantenimiento inadecuado ■ daños en el producto causados por su contaminación, accidente y por fuerza mayor (desastres naturales, incendios, penetración de agua...) ■ defectos en el funcionamiento del producto causados por mala calidad de la señal, interferencia de campo electromagnético, etc. ■ daños mecánicos en el producto (p.ej., rotura del botón, caída...) ■ daños causados por el uso de medios inadecuados, accesorios, materiales consumibles (baterías) o condiciones de trabajo inadecuadas (tales como temperaturas ambiente elevadas, alta humedad, estremecimientos...) ■ daños, modificación o cualquier otra intervención en el producto por personas no cualificadas o no autorizadas (por el centro de servicios) ■ los casos en que el comprador no prueba la legitimidad de sus derechos a reclamar (fecha y lugar donde compró el producto reclamado) ■ los casos en que los datos en los documentos difieren de la información contenida en el producto ■ los casos en que el producto reclamado no puede ser identificado con el producto mencionado en los documentos, con los que el comprador prueba su derecho a reclamar (p.ej., datos en el número de serie o el sello de garantía del dispositivo, datos transcritos en los documentos...)

Conditions de garantie

Le vendeur accorde à l'acheteur une garantie de produit s'étalant sur 24 mois à partir de la réception du produit par l'acheteur. La garantie s'applique selon les conditions suivantes. La garantie concerne uniquement la nouvelle marchandise vendue au consommateur pour une utilisation conforme au mode d'emploi. L'acheteur peut faire valoir ses droits à la garantie des défauts (la réclamation) auprès du vendeur où il a vendu le produit ou auprès d'un des services autorisés indiqués ci-dessous. La réclamation doit être faite par l'acheteur sans tarder afin d'éviter la détérioration du défaut, avant la fin de la période de garantie au plus tard. Lors de la réclamation, la coopération de l'acheteur est nécessaire pour vérifier l'existence du défaut déclaré. Seul un produit complet et, pour des raisons d'hygiène, propre est accepté pour la procédure de réparation. En cas de réclamation justifiée, la période de garantie est prolongée de la période allant du moment de l'application de la réclamation jusqu'à la reprise du produit réparé par l'acheteur ou jusqu'au moment où l'acheteur doit reprendre le produit après la réalisation de sa réparation. L'acheteur doit prouver ses droits à la réclamation (la mise en justificatif d'achat, de la fiche de garantie, du certificat de la production du produit...).

La garantie ne s'applique pas notamment :

■ aux défauts donnant lieu à une promotion ■ l'usure et l'endommagement provoqués par l'utilisation courante du produit ■ l'endommagement du produit provoqué par une installation défectueuse ou incorrecte, ■ l'utilisation du produit non conforme au mode d'emploi, aux prescriptions juridiques en vigueur, et aux utilisations généralement connues et ha-

bituales, ■ l'endommagement du produit provoqué par l'usage impropre auquel celui-ci n'est pas destiné, ■ l'endommagement du produit provoqué par la négligence de l'utilisateur ou l'utilisateur incorrect, ■ l'endommagement du produit provoqué par l'encassement, l'accident ou le feu majeur (les incendies, l'invasion d'eau...) ■ les vices de fonctionnement provoqués par l'absence qualifiée de signal, les champs magnétiques interférent, etc. ■ l'endommagement mécanique du produit (p. ex. le bouton cassé, la chute...) ■ l'endommagement du produit provoqué par les médias inconvénients, la charge, le matériel de consommation (les piles) ou par les conditions de fonctionnement inconvénients (p.e., la température environnementale trop élevée, l'humidité de l'environnement important, les secousses...) ■ l'endommagement, la modification ou une autre intervention effectuée sur le produit par une personne (un service) incompetente ou non autorisée ■ les cas où l'acheteur ne prouve pas, lors de la réclamation, le bien fondé de ses droits (le lieu et le jour de son achat du produit) ■ les cas où les données figurant dans les documents présentés diffèrent de celles du produit ■ les cas où il n'est pas possible d'identifier le produit infirmé (hoja de declaración al producto figurant dans los documentos presentados por l'acheteur afin de faire valoir ses droits à la réclamation (p.e. le numéro de référence ou le plomb de garantie de l'appareil endommagé, les informations figurant dans les documents rectifiés...)

Jamstveni

Prodavatelj daje kupcu jamstvo na proizvod u trajanju od 24 mjeseca od dana primanja proizvoda kupcem. Jamstvo se daje pod sljedećim uvjetima. Jamstvo se odnosi samo na novu robu koja je prodana potrošaču u svrhu korištenja koje je navedeno u odgovarajućoj politici za opsluživanje. Prava koja proizlaze iz odgovornosti za nedostatak (reklamacija) može kupac primjenjivati kod prodavatelja kojeg je kupio proizvod ili u dožar, no ne mogu biti podvrgnuto autoriziranom servisu. Kupac je obavezan reklamaciju prijaviti bez suvišnog odlaganja, kako bi se izbjeglo pogoršanje nedostatka, ali najkasnije do kraja jamstvenog roka. Kupac je dužan pružiti potrebnu suradnju kod reklamacije koja je neophodna za provjeru postojanja reklamiranog nedostatka. U reklamacijskoj proceduri prima se samo kompletni i u skladu održavanja higijenski propisa čist proizvod. U slučaju opravdanje reklamacije se jamstveni rok produžava u razdoblje od trenutka primjene reklamacije do trenutka primanja popravljene proizvoda kupcem ili trenutka, kada je kupac nakon okončanja popravke obavezan proizvod preuzeti. Kupac je dužan dostaviti svoja prava za reklamaciju (Kupoprodajni dokument o kupnji proizvoda, jamstveni list, dokument o upisivanju proizvoda u pogon...).

Jamstvo se ne odnosi naime na:

■ nedostatak na koje je bio pružen potpuni habanje ili oštećenje koje je nastalo normalnim korištenjem proizvoda ■ oštećenja proizvoda koje je uzrokom nestrukturalne ispravne instalacije,

korištenja proizvoda u suprotnosti sa uputom za opsluživanje, važećim pravim propisima i/ili opoznim i uobičajenim načinom korištenja, iz razloga korištenja proizvoda u druge svrhe nego kojima je namijenjen ■ oštećenje proizvoda iz razloga zanedaranja ili neispravnog održavanja ■ oštećenje proizvoda proizrokovano njegovim upravljanjem, nezgodom ili utjecajem više sila (elementarna nepogoda, požar, prodor vode...) ■ nedostate u funkcionalnosti proizvoda koje su proizrokovane nepovoljnim kvalitetom signala, smetnjom elektromagnetičnih polja ili ■ mehaničko oštećenje proizvoda (npr. smoljenje gumica, pad...) ■ oštećenje proizrokovano korištenjem neispravnih medija, punjenja, potrošačkog materijala (baterije) ili neopodnožnim uvjetima (npr. visoke temperature u okolišu, visoka vlažnost okoliša, potresi...) ■ oštećenja, prilagodbi ili drugih intervencija izvršenih na proizvodu neovlaštenim ili neautoriziranim osobom (servisom) ■ slučajev kada kupac priklom reklamacije neke dokazati opravdanje njegovih prava (kada i gdje je kupio reklamirani proizvod) ■ slučajev kada svo prava u predloženi ispravni različite od podataka navedenih na proizvodu ■ slučajev kada proizvod nije moguće identificirati sa proizvodnom koji je naveden u dokumentima, kojima kupac dokazuje svoja prava za reklamaciju (npr. oštećenje proizvodnog broja ili jamstvena plomba uređaja, prepisani podaci u dokumentima...)

Condizioni di garanzia

Il Venditore garantisce il prodotto per il periodo di 24 mesi dalla presa in consegna del prodotto da parte dell'Acquirente. La garanzia è concessa alle condizioni citate in seguito. La garanzia si riferisce solo alla merce nuova, venduta all'utente ai fini di utilizzo in modo normale e relativo manuale d'uso. L'Acquirente può far valere i diritti per la responsabilità per difetti (il reclamo) o presso il Venditore, presso il quale il prodotto è stato comprato, o in un Centro di Assistenza autorizzato indicato sotto. L'Acquirente è tenuto a far valere il reclamo senza indugio, affinché non avvenga il peggioramento del difetto, e comunque entro e non oltre la scadenza del termine di garanzia. Presentando il reclamo, l'Acquirente è tenuto a collaborare in modo necessario ai fini della verifica dell'esistenza del difetto reclamato. Nella procedura del reclamo viene ammesso solo un prodotto completo e pulito a garanzia delle norme sull'igiene. Nel caso di un reclamo giustificato, il termine di garanzia viene prolungato del periodo che è trascorso dal momento della presentazione del reclamo al momento della presa in consegna, da parte dell'Acquirente, del prodotto riparato o al momento in cui l'Acquirente è tenuto a ritirare il prodotto alla fine della riparazione. L'Acquirente è tenuto a dimostrare il proprio diritto a presentare il reclamo (il documento di acquisto del prodotto, il certificato di garanzia, un documento attestante la messa del prodotto in funzione...).

Non sono coperti dalla garanzia soprattutto:

■ difetti per i quali è già stato concesso uno sconto ■ il logoramento e il danneggiamento del prodotto, provocati dal suo uso abituale ■ il danneggiamento del prod-

otto in seguito ad un'installazione scorretta o non professionale, all'uso del prodotto contrario al manuale d'uso, alle norme giuridiche valide e generalmente conosciute e ai modi abituali d'uso, in seguito all'utilizzo del prodotto per fini diversi da quelli previsti ■ il danneggiamento del prodotto in seguito a una manutenzione trascurata o scorretta ■ il danneggiamento del prodotto provocato dal suo imbrattamento, da un incidente, o dovuto a forza maggiore (una calamità naturale, un incendio, un'infiltrazione d'acqua...) ■ difetti alla funzionalità del prodotto, provocati dalla qualità inadatta del segnale, da un campo elettromagnetico di disturbo, ecc. ■ il danneggiamento meccanico del prodotto (p.e. lo staccamento di un pulsante, la caduta del prodotto a terra...) ■ il danneggiamento provocato dall'utilizzo di supporti, refill o materiale di consumo (batterie) inadatti, oppure dalle condizioni di esercizio inadatte (p.e. un'elevata temperatura circostante, un'elevata umidità dell'ambiente, eventuali urti...) ■ il danneggiamento, la modifica o un altro intervento effettuato da una persona (centro di assistenza) non autorizzata o non abilitata ■ i casi in cui l'Acquirente, presentando il reclamo, non dimostra la fondatezza dei propri diritti (quando e dove egli ha acquistato il prodotto reclamato) ■ i casi in cui i dati nei documenti esibiti differiscono da quelli indicati sul prodotto ■ i casi in cui il prodotto reclamato non può essere identificato con il prodotto indicato nei documenti con i quali l'Acquirente dimostra il suo diritto al reclamo (p.e. il danneggiamento del numero di fabbricazione oppure del sigillo di garanzia dell'apparecchio, dati trascritti nei documenti...)

Garantievoorwaarden

De verkoper geeft de eindgebruiker een garantie van 24 maanden, af het product vanaf de dag van de aankoop. Deze garantie is geldig onder de volgende voorwaarden. Garantie is alleen van toepassing op nieuwe goederen die aan de consument zijn verkocht met als doel deze te gebruiken in overeenstemming met de gebruiksaanwijzing en het doel waarvoor ze gemaakt zijn. De eindgebruiker kan alleen aanspraak maken op de garantie bij de verkoper waar hij het product heeft gekocht, bij een hieronder vermeld, geautoriseerd servicecentrum. De eindgebruiker is verplicht om het product zo snel mogelijk, maximaal voor het einde van de garantieperiode, terug te sturen om te voorkomen dat het defect verder verslechtert. De eindgebruiker moet invullen van reparatie binnen de garantieperiode meewerken aan het documenteren van het geconstateerde defect. Alleen complete artikelen die volgens de hygiënische voorschriften zijn gereinigd, kunnen ter reparatie worden aangenomen. Indien het product voor reparatie in aanmerking komt, wordt de garantieperiode verlengd met de periode vanaf het moment dat de reparatie is aangevaard tot het moment dat de eindgebruiker het gerepareerde product weer in ontvangst neemt of wanneer de eindgebruiker het na afronzing van de reparatie verplicht in ontvangst dient te nemen. De eindgebruiker is verplicht om zijn recht op reparatie te bewijzen (aankoopbon, garantiebewijs, bewijs van inbruikname van product...).

De garantie vervalt indien er sprake is van:

■ defecten product waarop normaal is gegeven ■ slijtage of defecten als gevolg van kort gebruik ■ defecten als gevolg van oneigenlijk of verkeerd gebruik, van gebruik

dat niet in overeenstemming met de gebruiksaanwijzing, geldende wettelijke voorschriften en algemeen bekende en normale manieren van gebruik is of van gebruik voor andere doeleinden dan voor het product zijn voorgeschreven ■ schade aan het product als gevolg van verwaarloosd of onjuist onderhoud ■ schade aan het product als gevolg van het gebruik aan reinigen, ongevallen en externe oorzaken (rampen, brand, overstroming...) ■ defecten in de functies van het product als gevolg van onjuiste netspanning, storing van een elektromagnetisch veld, etc. ■ mechanische defecten aan het product (bijv. afbreken van de knoppen, val...) ■ schade als gevolg van het gebruik van ongeschikte media, vullingen, vulling (batterijen) of ongeschikte operationele omstandigheden (bijv. hoge omgevingstemperatuur, zeer vochtige omgeving, aardbevingen...) ■ schade of reparatie van andere ingrepen die door niet-bevoegde of niet-geautoriseerde personen (of servicecentra) is aangevaard het product zijn gedaan ■ gevallen waarin de eindgebruiker bij een verzoek tot reparatie binnen de garantieperiode niet bewijst dat hij daar recht op heeft (wanneer en waar hij het teruggeestuurde product heeft geleverd) ■ gevallen waarin de gegevens op de overlegde documenten verschillen van de gegevens die op het product vermeld worden, ■ gevallen waarin het teruggeestuurde product niet geïdentificeerd kan worden aan de hand van het product dat vermeld wordt in de documenten waarmee de eindgebruiker zijn recht op reparatie binnen de garantieperiode uitoefent (bijv. beschadigde serienummers of garantiezegel, veranderde gegevens in de documenten...)

Заполняется продавцом.

Название:

Тип:

Серийный номер изделия

В случае ремонта заполняется сервисной организацией.

Дата обращения в сервисный центр:

Число: Месяц: Год: 20

Дата принятия в ремонт:

Число: Месяц: Год: 20

Причина неисправности:

A termék azonosításra alkalmas részeinek meghatározása [amennyiben alkalmazható]:

Номер документа, подтверждающего продажу:

Дата покупки [ввода в эксплуатацию]:

Число: Месяц: Год: 20

Печать продавца:

Способ ремонта:

Дата возврата изделия обратно заказчику:

Число: Месяц: Год: 20

Новый гарантийный срок – продлен на срок проведения ремонта:

Число: Месяц: Год: 20

Печать сервисной организации:

Авторизованные сервисные центры

AO «FAST ČR»

Чernoкостелецка 1621
251 01 Ржичаны
Чешская Республика
Тел.: +420/323 204 120
Факс: +420/323 204 121
servis.praha@fastcr.cz
www.fastcr.cz

AO «FAST ČR»

Цейл 31
602 00 Брно
Чешская Республика
Тел.: +420/531 010 295
Факс: +420/531 010 296
servis.brno@fastcr.cz
www.fastcr.cz

OOO «FAST Plus»

На Пантох 18
831 06 Братислава
Словацкая Республика
Тел.: +421/2/49 105 854
Факс: +421/2/49 105 859
servis@fastplus.sk
www.fastplus.sk

Авторизованные сервисные центры

Fast Hungary Kft.

Dulácska u. 1/a.
H-2045 Törökbálint
Magyarország
Тел.: +36/ 23 330 905
Fax: +36/ 23 330 827
info@fasthungary.hu
www.fasthungary.hu

Arconet sp. z o.o.

W celu znalezienia
najbliższego serwisu
prosimy zadzwonić:
0801 44 33 22
Lub odwiedzić stronę
internetową:
www.arconet.pl

Uab „Senukai Prekybos

Centras“ Garantinis Servisas
Jonavos G. 62, LT-44192,
Kaunas, Lithuania
Тел.: +370 37 212 146
Тех.: +370 37 212 165
garrem@senukai.lt
www.senukai.lt

Продавец предоставляет покупателю гарантию на товар в течение 24 месяцев с момента получения товара покупателем. Гарантия предоставляется при соблюдении следующих условий. Гарантия распространяется только на новый товар, проданный потребителю для целей использования, указанных в соответствующей инструкции по эксплуатации. Покупатель имеет право обратиться с претензией, связанной с ответственностью за некачественный товар (рекламацией), непосредственно к продавцу, у которого был приобретен товар, либо в авторизованный сервисный центр, указанный ниже. Покупатель обязан предъявить рекламацию без необоснованной задержки, чтобы избежать ухудшения неисправности, но не позднее, чем до конца истечения гарантийного срока. Покупатель обязан при решении рекламации оказывать содействие, необходимое для проверки наличия заявленного дефекта. В рамках процедуры рассмотрения жалоб принимается только комплектный и, в целях соблюдения гигиенических правил, чистый товар. В случае если претензия является обоснованной, гарантийный срок продлевается на период с момента принятия товара для проведения гарантийного ремонта изделия по момент получения отремонтированного товара покупателем, либо по момент, когда покупатель обязан получить товар после проведения гарантийного ремонта. Покупатель обязан предъявить документы, подтверждающие его право на проведение гарантийного ремонта (документ, подтверждающий покупку, гарантийный талон, документ о вводе в эксплуатацию ...).

Гарантийные обязательства на товар, главным образом, не распространяются на:

■ недостатки, на которые была предоставлена скидка ■ износ и повреждения, вызванные обычным использованием изделия ■ повреждения изделия в результате неспециализированной или неправильной установки и монтажа, использования изделия в противоречии с Инструкцией по эксплуатации, действующим законодательством и общеизвестными и обычными способами использования, в связи с использованием товара для других целей, чем те, для которых он предназначен ■ повреждения изделия, связанные с пренебрежением или неправильным техническим обслуживанием ■ повреждения изделия, вызванные его загрязнением, аварией и форс-мажорными обстоятельствами (стихийными бедствиями, пожаром, попаданием воды ...) ■ неисправности изделия, вызванные неадекватным качеством сигнала, помехами электромагнитного поля и т.д. ■ механические повреждения изделия (например, отломанная кнопка, падение ...) ■ повреждения, вызванные использованием неподходящих носителей, расходных материалов (батарей) или в результате ненадлежащих условий эксплуатации (напр., высокой температуры окружающей среды, высокой влажности, ударов ...) ■ повреждения, изменения или другое вмешательство в результате самостоятельного ремонта изделия или ремонта, проведенного неуполномоченным или неавторизованным лицом (сервисным центром) ■ случаи, когда покупатель не подтвердит правомерность своих прав на гарантийный ремонт (когда и где был приобретен товар, на который распространяется гарантия) ■ случаи, когда данные в предоставленных документах отличаются от информации, содержащейся на изделии ■ случаи, когда изделие, на которое заявлена рекламация, не является тождественным с изделием, указанным в документах, которыми покупатель подтверждает свое право на проведение гарантийного ремонта (напр., повреждение серийного номера или гарантийной пломбы устройства, исправление данных в документах ...)



 **FIELDMANN**[®]
Home & Garden Performance